

*Last update: May 14, 2024*

Discover **60 YEARS** of faucet expertise,  
6 decades creating unique water experiences.



COLOMBIA  
**CATALOGUE**

**2024**



GRICOL

SINCE 1962



**BATHROOM**

**SINGLE LEVER SHOWERS**



**VIVALDI**

- Ceramic disc cartridge assures durability and long-lasting performance
  - Single handle provides flow and temperature control
  - Premium metal construction
  - 1/2" female one handle connection
  - Chrome finish resists corrosion and tarnishing
  - 2.51 GPM (9.5 lpm) maximum flow rate at 80 psi
- NTC 1644 compliance
  - Working temperature: 41-160 °F (5 - 71.1°C)

SKU	DESCRIPTION	PRESENTATION	PACKING UNIT
01-2101-11SR	Vivaldi single handle (valve only)	Box	12



**TIFFANY**

- Ceramic disc cartridge assures durability and long-lasting performance
  - Single handle provides flow and temperature control
  - Premium metal construction
  - 1/2" female one handle connection
  - Chrome finish resists corrosion and tarnishing
  - 2.51 GPM (9.5 lpm) maximum flow rate at 80 psi
- NTC 1644 compliance
  - Working temperature: 41-160 °F (5 - 71.1°C)

SKU	DESCRIPTION	PRESENTATION	PACKING UNIT
01-2201-11SR	Tiffany single handle (valve only)	Box	12



**SION**

- Ceramic disc cartridge assures durability and long-lasting performance
  - Single handle provides flow and temperature control
  - Premium metal construction
  - 1/2" female one handle connection
  - Chrome finish resists corrosion and tarnishing
  - 2.38 GPM (9 lpm) maximum flow rate at 80 psi
- NTC 1644 compliance
  - Working temperature: 41-160 °F (5 - 71.1°C)
  - The 01-2601-211 package Includes BL-8630-11 Iseo circled shower head

SKU	DESCRIPTION	PRESENTATION	PACKING UNIT
01-2601-11SR	Sion single handle (valve only)	Box	12
01-2601-211	Sion single handle (Valve + shower head)	Box	12



**SION**

- Matte black finish with low porosity
  - Closure system: cartridge with ceramic discs for maximum durability with optimal performance
  - Temperature control with a single handle
  - Metal body and handles
  - 1/2" female one handle connection
- Wear and corrosion resistant
  - Standards compliance: NTC 1644
  - ASME A112.18.1 / CSA B125.1
  - Working temperature: 41-160 °F (5 - 71.1°C)
  - Domestic use - Non-toxic



SKU	DESCRIPTION	PRESENTATION	PACKING UNIT
01-2601-07SR	Sion black single handle (valve only)	Box	12



**VOGA**

- Ceramic disc cartridge assures durability and long-lasting performance
  - Single handle provides flow and temperature control
  - Premium metal construction
  - 1/2" female one handle connection
  - Chrome finish resists corrosion and tarnishing
  - 2.38 GPM (9 lpm) maximum flow rate at 80 psi
- NTC 1644 compliance
  - Working temperature: 41-160 °F (5 - 71.1°C)



SKU	DESCRIPTION	PRESENTATION	PACKING UNIT
01-3701-11SR	Voga single handle (valve only)	Box	12

8" HANDLE SHOWERS

PORTOBELLO



- Ceramic disc assures durability and long lasting performance
- Easy 1/4 turn handle rotation
- Premium metal construction
- 1/2" female connection
- Chrome finish resists corrosion and tarnishing
- 2.51 GPM (9.5 lpm) maximum flow rate at 80 psi
- NTC 1644 compliance
- Working temperature: 41-160 °F (5 - 71.1 °C)

SKU	DESCRIPTION	PRESENTATION	PACKING UNIT
01-0220-11SR	Portobello two handle mixer (valve only)	Box	12

CALIMA



- Ceramic disc assures durability and long lasting performance
- Easy 1/4 turn handle rotation
- Premium metal construction
- Chrome finish resists corrosion and tarnishing
- 1/2" female connection
- 2.11 GPM (8 lpm) maximum flow rate at 80 psi
- NTC 1644 compliance
- Working temperature: 41-160 °F (5 - 71.1 °C)

SKU	DESCRIPTION	PRESENTATION	PACKING UNIT
01-0820-11SR	8" (20 cm) Calima two handle mixer (valve only)	Box	12
01-0846-11SR	8" (20 cm) Calima three handle mixer (valve with diverter)	Box	12

HELVETIA



- Ceramic disc assures durability and long lasting performance
- Easy 1/4 turn handle rotation
- Highly engineered resin handles and premium metal valve
- Chrome finish resists corrosion and tarnishing
- 1/2" female connection
- 2.11 GPM (8 lpm) maximum flow rate at 80 psi
- NTC 1644 compliance
- Working temperature: 41-160 °F (5 - 71.1 °C)
- The 01-0935-11 package Includes BL-2430-11 Helvetia shower head

SKU	DESCRIPTION	PRESENTATION	PACKING UNIT
01-0935-11SR	8" (20 cm) Helvetia two handle mixer (valve only)	Box	12
01-0935-11	8" (20 cm) Helvetia two handle shower mixer + shower head	Box	12

KRISTHAL



- Ceramic disc assures durability and long lasting performance
- Easy 1/4 turn handle rotation
- Acrylic handles and premium metal valve body
- Chrome finish resists corrosion and tarnishing
- 1/2" female connection
- 2.11 GPM (8 lpm) maximum flow rate at 80 psi
- NTC 1644 compliance
- Working temperature: 41-160 °F (5 - 71.1 °C)
- The 01-1135-00 package Includes BL-1130-11 Kristhal shower head

SKU	DESCRIPTION	PRESENTATION	PACKING UNIT
01-1135-00SR	8" (20 cm) Kristhal two handle mixer (valve only)	Bag	12
01-1135-00	8" (20 cm) Kristhal two handle mixer + shower head	Box	12

ATLANTICO



- Ceramic disc assures durability and long lasting performance
- Easy 1/4 turn handle rotation
- Highly engineered resin handles and premium metal valve
- Chrome finish resists corrosion and tarnishing
- 1/2" female connection
- 2.11 GPM (8 lpm) maximum flow rate at 80 psi
- NTC 1644 compliance
- Working temperature: 41-160 °F (5 - 71.1 °C)
- The 01-1335-11 package Includes BL-1430-11 Genesis shower head

SKU	DESCRIPTION	PRESENTATION	PACKING UNIT
01-1335-11SR	8" (20 cm) Atlantico two handle mixer (valve only)	Box	12
01-1335-11	8" (20 cm) Atlantico two handle shower mixer + shower head	Box	12

8" HANDLE SHOWERS

TOSCANA



- Ceramic disc assures durability and long lasting performance
- Easy 1/4 turn handle rotation
- Highly engineered resin handles and premium metal valve
- Chrome finish resists corrosion and tarnishing
- 1/2" female connection
- 2.11 GPM (8 lpm) maximum flow rate at 80 psi
- NTC 1644 compliance
- Working temperature: 41-160 °F (5 - 71.1 °C)

SKU	DESCRIPTION	PRESENTATION	PACKING UNIT
01-1435-11SR	8" (20 cm) Toscana two handle shower mixer (valve only)	Box	12

PIANA



- Ceramic disc assures durability and long lasting performance
- Easy 1/4 turn handle rotation
- Highly engineered resin handles and premium metal valve
- Chrome finish resists corrosion and tarnishing
- 1/2" female connection
- 2.51 GPM (9.5 lpm) maximum flow rate at 80 psi
- NTC 1644 compliance
- Working temperature: 41-160 °F (5 - 71.1 °C)
- The 01-1535-211 package Includes BL-8530-11 Vico shower head

SKU	DESCRIPTION	PRESENTATION	PACKING UNIT
01-1535-11SR	8" (20 cm) Piana two handle mixer (valve only)	Box	12
01-1535-211	8" (20 cm) Piana two handle mixer + shower head	Box	12

HELIX PALA



- Ceramic disc assures durability and long lasting performance
- Easy 1/4 turn handle rotation
- Highly engineered resin handles and premium metal valve
- Chrome finish resists corrosion and tarnishing
- 1/2" female connection
- 2.51 GPM (9.5 lpm) maximum flow rate at 80 psi
- NTC 1644 compliance
- Working temperature: 41-160 °F (5 - 71.1 °C)
- Includes BL-1430-11 Genesis shower head with in 01-1735-11 package

SKU	DESCRIPTION	PRESENTATION	PACKING UNIT
01-1735-11SR	8" Helix Pala two handle mixer (valve only)	Box	12
01-1735-11	8" Helix Pala two handle mixer + shower head	Box	12

TEDESCA



- Ceramic disc assures durability and long lasting performance
- Easy 1/4 turn handle rotation
- Highly engineered resin handles and premium metal valve
- Chrome finish resists corrosion and tarnishing
- 1/2" female connection
- 2.11 GPM (8 lpm) maximum flow rate at 80 psi
- NTC 1644 compliance
- Working temperature: 41-160 °F (5 - 71.1 °C)
- Includes BL-2430-11 Helvetia shower head within 01-1822-11 package

SKU	DESCRIPTION	PRESENTATION	PACKING UNIT
01-1835-11SR	8" (20 cm) Tedesca two handle mixer (valve only)	Box	12

PRISTINA



- Ceramic disc assures durability and long lasting performance
- Easy 1/4 turn handle rotation
- Highly engineered resin handles and premium metal valve
- Chrome finish resists corrosion and tarnishing
- 1/2" female connection
- 2.11 GPM (8 lpm) maximum flow rate at 80 psi
- NTC 1644 compliance
- Working temperature: 41-160 °F (5 - 71.1 °C)

SKU	DESCRIPTION	PRESENTATION	PACKING UNIT
01-2835-11SR	8" (20 cm) Pristina two handle mixer (valve only)	Box	12

ONE HANDLE SHOWER

CALIMA



- Ceramic disc assures durability and long lasting performance
- Easy 1/4 turn handle rotation
- Premium metal construction
- Chrome finish resists corrosion and tarnishing
- Water flow controlled with one volume handle
- 1/2" female connection
- Maximum flow rate depends on shower head
- NTC 1644 compliance
- Working temperature: 41-160 °F (5 - 71.1 °C)

SKU	DESCRIPTION	PRESENTATION	PACKING UNIT
01-0823-11	Calima one handle (valve only)	Box	24

HELVETIA



- Ceramic disc assures durability and long lasting performance
- Easy 1/4 turn handle rotation
- Highly engineered resin handle and premium metal valve body
- Chrome finish resists corrosion and tarnishing
- Water flow controlled with one volume handle
- 1/2" female connection
- 2.38 GPM (9 lpm) maximum flow rate at 80 psi
- NTC 1644 compliance
- Working temperature: 41-160 °F (5 - 71.1 °C)
- Includes BL-2430-11 Helvetia shower head within 01-0934-11 package

SKU	DESCRIPTION	PRESENTATION	PACKING UNIT
01-0933-11	Helvetia one handle (valve only)	Box	24
01-0934-11	Helvetia one handle shower	Box	12

KRISTHAL



- Ceramic disc assures durability and long lasting performance
- Easy 1/4 turn handle rotation
- Acrylic handle and premium metal valve body
- Chrome finish resists corrosion and tarnishing
- Water flow controlled with one volume handle
- 1/2" female connection
- 2.11 GPM (8 lpm) maximum flow rate at 80 psi
- NTC 1644 compliance
- Working temperature: 41-160 °F (5 - 71.1 °C)
- Includes BL-1130-11 Kristhal shower head within 01-1134-00 package

SKU	DESCRIPTION	PRESENTATION	PACKING UNIT
01-1133-00	Kristhal one handle (valve only)	Bag Box	24
01-1134-00	Kristhal one handle shower	Box	24

ATLANTICO



- Ceramic disc assures durability and long lasting performance
- Easy 1/4 turn handle rotation
- Highly engineered resin handle and premium metal valve body
- Chrome finish resists corrosion and tarnishing
- Water flow controlled with one volume handle
- Includes water saving Genesis shower head
- 1/2" female connection
- 2.51 GPM (9.5 lpm) maximum flow rate at 80 psi
- NTC 1644 compliance
- Working temperature: 41-160 °F (5 - 71.1 °C)
- Includes BL-1430-11 Genesis shower head within 01-1334-11 package

SKU	DESCRIPTION	PRESENTATION	PACKING UNIT
01-1333-11	Atlántico one handle (valve only)	Box	24
01-1334-11	Atlántico one handle shower	Box	24

TOSCANA



- Ceramic disc assures durability and long lasting performance
- Easy 1/4 turn handle rotation
- Highly engineered resin handle and premium metal valve body
- Chrome finish resists corrosion and tarnishing
- Water flow controlled with one volume handle
- 1/2" female connection
- 2.11 GPM (8 lpm) maximum flow rate at 80 psi
- NTC 1644 compliance
- Working temperature: 41-160 °F (5 - 71.1 °C)

SKU	DESCRIPTION	PRESENTATION	PACKING UNIT
01-1433-11	Toscana one handle (valve only)	Box	24

ONE HANDLE SHOWER

PIANA



- Ceramic disc assures durability and long lasting performance
- Easy 1/4 turn handle rotation
- Highly engineered resin handle and premium metal valve
- Chrome finish resists corrosion and tarnishing
- Water flow controlled with one volume handle
- 1/2" female connection
- 2.51 GPM (9.5 lpm) maximum flow rate at 80 psi
- NTC 1644 compliance
- Working temperature: 41-160 °F (5 - 71.1 °C)
- Includes BL-8530-11 Vico shower head within the 01-1534-211 package

SKU	DESCRIPTION	PRESENTATION	PACKING UNIT
01-1533-11	Piana one handle (valve only)	Box	24
01-1534-211	Piana one handle shower	Box	12

HELIX PALA



- Ceramic disc assures durability and long lasting performance
- Easy 1/4 turn handle rotation
- Highly engineered resin handle and premium metal valve body
- Chrome finish resists corrosion and tarnishing
- Water flow controlled with one volume handle
- 1/2" female connection
- 2.51 GPM (9.5 lpm) maximum flow rate at 80 psi
- NTC 1644 compliance
- Working temperature: 41-160 °F (5 - 71.1 °C)
- Includes BL-1430-11 Genesis shower head within the 01-1734-11 package

SKU	DESCRIPTION	PRESENTATION	PACKING UNIT
01-1733-11	Helix Pala one handle (valve only)	Box	24
01-1734-11	Helix Pala one handle shower	Box	24

TEDESCA



- Ceramic disc assures durability and long lasting performance
- Easy 1/4 turn handle rotation
- Highly engineered resin handle and premium metal valve body
- Chrome finish resists corrosion and tarnishing
- Water flow controlled with one volume handle
- 1/2" female connection
- 2.11 GPM (8 lpm) maximum flow rate at 80 psi
- NTC 1644 compliance
- Working temperature: 41-160 °F (5 - 71.1 °C)

SKU	DESCRIPTION	PRESENTATION	PACKING UNIT
01-1833-11	Tedesca one handle (valve only)	Box	24

PRISTINA



- Ceramic disc assures durability and long lasting performance
- Easy 1/4 turn handle rotation
- Premium metal construction
- Chrome finish resists corrosion and tarnishing
- Water flow controlled with one volume handle
- 1/2" female connection
- 2.11 GPM (8 lpm) maximum flow rate at 80 psi
- NTC 1644 compliance
- Working temperature: 41-160 °F (5 - 71.1 °C)

SKU	DESCRIPTION	PRESENTATION	PACKING UNIT
01-2833-11	Pristina one handle (valve only)	Box	24

SHOWER ONE HANDLE FULL BORE

HELIX PALA



- Full bore water flow
- Special for pressures below 20 psi
- Easy 1/4 turn handle rotation
- Highly engineered resin handle and brass valve body
- Chrome finish resists corrosion and tarnishing
- Water flow controlled with one volume handle
- 1/2" female connection
- Maximum flow rate: depends on shower
- NTC 1644 compliance
- Working temperature: 41-160 °F (5 - 71.1 °C)

SKU	DESCRIPTION	PRESENTATION	PACKING UNIT
01-1770-11	Helix Pala full bore ball (valve only)	Box	24

**SHOWER HEAD**



**KRISTHAL**

- Shower head dimension: 2 3/8" (6 cm) diameter spray head
- Distance from wall line to shower head: 5.9" (15 cm)
- Includes smart water saving technology
- Single-function rain shower
- Includes arm spout for wall installation
- Brass swivel ball assembly for different water outlet angles
- Filter traps dirt and fine particles
- Chrome finish resists corrosion and tarnishing
- 1/2" male connection
- 1.9 GPM (7.3 lpm) maximum flow rate at 80 psi
- NTC 1644 compliance
- Working temperature: 41-160 °F (5 - 71.1 °C)

SKU	DESCRIPTION	PRESENTATION	PACKING UNIT
01-1130-11	Kristhal movable shower head	Bag	48



**GENESIS**

- Shower head dimension: 3 1/2" (9 cm) diameter spray head
- Distance from wall line to shower head: 6 1/2" (16.5 cm)
- Includes smart water saving technology
- Single-function rain shower
- Includes wall installation arm spout
- Brass swivel ball assembly for different water outlet angles
- Filter traps dirt and fine particles
- Chrome finish resists corrosion and tarnishing
- 1/2" male connection
- 2.51 GPM (9.5 lpm) maximum flow rate at 80 psi
- NTC 1644 compliance
- Working temperature: 41-160 °F (5 - 71.1 °C)

SKU	DESCRIPTION	PRESENTATION	PACKING UNIT
BL-1430-11	Genesis I shower head	Blister	12



**HELVETIA**

- Shower head dimension: 3 1/2" (9 cm) diameter spray head
- Distance from wall line to shower head: 6 1/2" (16.5 cm)
- Includes smart water saving technology
- 5 function shower head
- Includes wall installation arm spout
- Brass swivel ball assembly for different water outlet angles
- Filter traps dirt and fine particles
- Chrome finish resists corrosion and tarnishing
- 1/2" male connection
- 2.51 GPM (9.5 lpm) maximum flow rate at 80 psi
- NTC 1644 compliance
- Working temperature: 41-160 °F (5 - 71.1 °C)

SKU	DESCRIPTION	PRESENTATION	PACKING UNIT
BL-2430-11	5 function Helvetia shower head	Blister	12



**TORINO**

- Shower head dimension: 9"X7" (23 X 18 cm)
- Distance from wall line to shower head: 2 3/8" (6 cm)
- Includes smart water saving technology
- Single-function rain shower
- Includes an extension arm spout for larger distances or roof installation
- Brass swivel ball assembly for different water outlet angles
- Filter traps dirt and fine particles
- Chrome finish resists corrosion and deterioration
- 1/2" male connection
- 2.51 GPM (9.5 lpm) maximum flow rate at 80 psi
- NTC 1644 compliance
- Working temperature: 41-160 °F (5 - 71.1 °C)

SKU	DESCRIPTION	PRESENTATION	PACKING UNIT
BL-3730-11	Torino shower head	Blister	12



**CALIMA**

- Shower head dimension: 4" (10 cm) diameter spray head
- Distance from wall line to shower head: 8 1/4" (21 cm)
- Includes smart water saving technology
- 3 function shower head
- Includes wall installation arm spout
- Brass swivel ball assembly for different water outlet angles
- Filter traps dirt and fine particles
- Chrome finish resists corrosion and tarnishing
- 1/2" male connection
- 2.11 GPM (8 lpm) maximum flow rate at 80 psi
- NTC 1644 compliance
- Working temperature: 41-160 °F (5 - 71.1 °C)

SKU	DESCRIPTION	PRESENTATION	PACKING UNIT
BL-8430-211	3 function Calima shower head	Blister Pack	8



**SHOWER HEAD**

**VICO**



- Shower head dimension: 4" (10 X 10 cm)
- Distance from wall line to shower head: 13 1/2" (9 cm)
- Includes smart water saving technology
- Single-function rain shower
- Includes wall installation arm spout
- Brass swivel ball assembly for different water outlet angles
- Filter traps dirt and fine particles
- Chrome finish resists corrosion and tarnishing
- 1/2" male connection
- 2.38 GPM (9 lpm) maximum flow rate at 80 psi
- NTC 1644 compliance
- Working temperature: 41-160 °F (5 - 71.1 °C)

SKU	DESCRIPTION	PRESENTATION	PACKING UNIT
<b>BL-8530-11</b>	Vico shower head	Blister	12

**ISEO**



- Shower head dimension: 8 5/8" (22 cm) diameter spray head
- Distance from wall line to shower head: 13 3/4" (35 cm)
- Includes smart water saving technology
- Single-function rain shower
- Includes an extension arm spout for wide distances or roof installation
- Brass swivel ball assembly for different water outlet angles
- Filter traps dirt and fine particles
- Chrome finish resists corrosion and tarnishing
- 1/2" male connection
- 2.38 GPM (9 lpm) maximum flow rate at 80 psi
- NTC 1644 compliance
- Working temperature: 41-160 °F (5 - 71.1 °C)

SKU	DESCRIPTION	PRESENTATION	PACKING UNIT
<b>BL-8630-11</b>	Round Iseo shower head	Blister	12

**ISEO**



- Shower head dimension: 8 7/16" X 8 7/16" (21.5 X 21.5 cm)
- Distance from wall line to shower head: 13 3/4" (35 cm)
- Includes smart water saving technology
- Single-function rain shower
- Includes an extension arm spout for wide distances or roof installation
- Brass swivel ball assembly for different water outlet angles
- Filter traps dirt and fine particles
- Chrome finish resists corrosion and tarnishing
- 1/2" male connection
- 2.38 GPM (9 lpm) maximum flow rate at 80 psi
- NTC 1644 compliance
- Working temperature: 41-160 °F (5 - 71.1 °C)

SKU	DESCRIPTION	PRESENTATION	PACKING UNIT
<b>BL-8730-11</b>	Square Iseo shower head	Blister	12

**BATHTUB SPOUT**

**PLASTIC BATHTUB SPOUT WITH PUSH BUTTON**



- Highly engineered resin construction with chrome finish
- 4 3/4" (12 cm) tub spout length
- Wall installation
- Includes brass push button
- Brass pull-up
- Chrome finish resists corrosion and tarnishing
- 1/2" female connection
- NTC 1644 compliance
- Working temperature: 41-160 °F (5 - 71.1 °C)
- Works in conjunction with 01-1822-11

SKU	DESCRIPTION	PRESENTATION	PACKING UNIT
<b>RB-0285-11</b>	Plastic bathtub spout with push button	Blister Pack	24

**PLASTIC CHROME BATHTUB SPOUT**



- Highly engineered resin construction with chrome finish
- 4 3/4" (12 cm) tub spout length
- Wall installation
- Works in conjunction with shower mixer 01-0846-11
- Chrome finish resists corrosion and tarnishing
- 1/2" female connection
- NTC 1644 compliance
- Working temperature: 41-160 °F (5 - 71.1 °C)

SKU	DESCRIPTION	PRESENTATION	PACKING UNIT
<b>RB-0286-11</b>	Plastic chrome bathtub spout	Blister Pack	24

SHOWER SPOUT

ROOF SHOWER SPOUT



- Premium metal construction
- Dimension: 5 3/4" (14,5 cm) long
- Includes extension screw
- Wall or roof installation
- Chrome finish resists corrosion and tarnishing
- 1/2" male connection
- Female x female extension connection
- Working temperature: 41-160 °F (5 - 71.1 °C)

SKU	DESCRIPTION	PRESENTATION	PACKING UNIT
RB-0245-11S	Brass roof shower spout	Bag	6

HAND SHOWERS

ABRUZZO



- Dimensions: 2 3/8" (6 cm) x 4 1/2" (11.5 cm)
- Includes wall bracket and diverter
- 4.9 ft (150 cm) metal hose
- Single-function rain shower
- Chrome finish resists corrosion and tarnishing
- 1/2" male connection
- 3.3 GPM (12,5 lpm) maximum flow rate at 80 psi
- NTC 1644 compliance
- Working temperature: 41-160 °F (5 - 71.1 °C)
- Water outlet diameter: 3 3/8" (8,5 cm)

SKU	DESCRIPTION	PRESENTATION	PACKING UNIT
BL-0693-11	Abruzzo hand shower with hose	Blister	12

5.9" IZMIR



- Shower head and hand shower function
- Shower head diameter: 5.9" (15 cm)
- 5 different water functions
- Connection and movable bracket for different water outlet angles
- 4.9 ft (150 cm) plastic hose
- Chrome finish resists corrosion and tarnishing
- 1/2" female connection
- 3.17 GPM (12 lpm) maximum flow rate at 80 psi
- NTC 1644 compliance
- Working temperature: 41-160 °F (5 - 71.1 °C)

SKU	DESCRIPTION	PRESENTATION	PACKING UNIT
BL-0698-11	5.9" (15 cm) Izmir hand shower	Blister	12

3 3/8" IZMIR



- 5 different water functions
- Includes wall bracket and diverter
- 4.9 ft (150 cm) plastic hose
- Single-function rain shower
- Chrome finish resists corrosion and tarnishing
- 1/2" male diverter connection
- 3 GPM (11.5 lpm) maximum flow rate at 80 psi
- NTC 1644 compliance
- Working temperature: 41-160 °F (5 - 71.1 °C)
- Water outlet diameter: 3 3/8" (8,5 cm)

SKU	DESCRIPTION	PRESENTATION	PACKING UNIT
TB-1923-11	3 3/8" (8,5 cm) Izmir hand shower with diverter and hose	Bag	12

3 3/8" IZMIR WITH INDEPENDENT VALVE



- 5 different water functions
- Includes wall bracket and diverter
- 4.9 ft (150 cm) plastic hose
- Single-function rain shower
- Chrome finish resists corrosion and tarnishing
- 1/2" male diverter connection
- 3 GPM (11.5 lpm) maximum flow rate at 80 psi
- NTC 1644 compliance
- Working temperature: 41-160 °F (5 - 71.1 °C)

SKU	DESCRIPTION	PRESENTATION	PACKING UNIT
TB-2000-11	3 3/8" (8,5 cm) Izmir 3 function hand shower with independent valve	Bag	12

HAND SHOWERS

4.9 FT HOSE



- RB-0593-11: Metal hose and screws
- RB-0596-11: Plastic hose and screws
- Length: 4.9 ft (150 cm)
- Chrome finish resists corrosion and tarnishing
- Works in conjunction with every Gricol hand shower
- 1/2" Female x 1/2" female connection
- Maximum pressure: 100 psi
- Working temperature: Between 5-40 °C (41 - 104 °F)

SKU	DESCRIPTION	PRESENTATION	PACKING UNIT
RB-0593-11	4.9 ft (150 cm) Brass hose for hand shower	Skin Pack	12
RB-0596-11	4.9 ft (150 cm) chrome plastic hose for hand shower	Blister Pack	10

SHORT PLASTIC HAND SHOWER DIVERTER



- Highly engineered construction
- Length: 2 1/2" (6.5 cm)
- Conventional handle close
- Works in conjunction with every Gricol shower
- Chrome finish resists corrosion and tarnishing
- 1/2" F X M connection within hand shower and shower
- 1/2" female shower connection
- 1/2" male hand shower connection
- NTC 1644 compliance
- Working temperature: 41-160 °F (5 - 71.1 °C)

SKU	DESCRIPTION	PRESENTATION	PACKING UNIT
RB-0739-11S	Short plastic hand shower diverter	Blister	6

LONG PLASTIC HAND SHOWER DIVERTER



- Highly engineered construction
- Length 3 5/16" (8.4 cm)
- Wall installation
- Conventional handle close
- Works in conjunction with every Gricol shower
- Chrome finish resists corrosion and tarnishing
- 1/2" F X M connection within hand shower and shower
- 1/2" female shower connection
- 1/2" male hand shower connection
- NTC 1644 compliance
- Working temperature: 41-160 °F (5 - 71.1 °C)

SKU	DESCRIPTION	PRESENTATION	PACKING UNIT
RB-1960-11S	Long plastic hand shower diverter	Blister	6

SINGLE HANDLE SINK FAUCETS

VIVALDI



- Ceramic disc cartridge assures durability and long-lasting performance
- Single handle provides flow and temperature control
- Premium metal construction
- 7 3/16" (18.3 cm) spout reach
- Single hole installation
- Includes smart water saving technology
- Chrome finish resists corrosion and tarnishing
- Includes flex hose with 1/2" female connection
- 1.27 GPM (5.2 lpm) maximum flow rate at 80 psi
- NTC 1644 compliance
- Working temperature: 41-160 °F (5 - 71.1 °C)

SKU	DESCRIPTION	PRESENTATION	PACKING UNIT
01-2103-11SD	Vivaldi single handle short-height bathroom faucet	Box	12

VIVALDI



- Ceramic disc cartridge assures durability and long-lasting performance
- Single handle provides flow and temperature control
- Premium metal construction
- 13" (33 cm) spout reach
- Single hole installation
- Includes smart water saving technology
- Chrome finish resists corrosion and tarnishing
- Includes flex hose with 1/2" female connection
- 1.27 GPM (5.2 lpm) maximum flow rate at 80 psi
- NTC 1644 compliance
- Working temperature: 41-160 °F (5 - 71.1 °C)

SKU	DESCRIPTION	PRESENTATION	PACKING UNIT
01-2106-11SD	Vivaldi single handle high-height bathroom faucet	Box	6

SION



- Ceramic disc cartridge assures durability and long-lasting performance
- Single handle provides flow and temperature control
- Highly engineered resin body and premium metal lever handle
- 6" (15.2 cm) spout reach
- Single hole installation
- Includes smart water saving technology
- Chrome finish resists corrosion and tarnishing
- Adjustable aerator for different water outlet angles
- Includes flex hose with 1/2" female connection
- 1.85 GPM (7 lpm) maximum flow rate at 80 psi
- NTC 1644 compliance
- Working temperature: 41-160 °F (5 - 71.1 °C)

SKU	DESCRIPTION	PRESENTATION	PACKING UNIT
01-2603-11	Sion single handle short-height bathroom faucet	Box	12

SINGLE HANDLE SINK FAUCETS



SION

- Ceramic disc cartridge assures durability and long-lasting performance
- Single handle provides flow and temperature control
- Highly engineered resin body and premium metal lever handle
- 11 7/16" (29 cm) spout reach
- Single hole installation
- Includes smart water saving technology
- Chrome finish resists corrosion and tarnishing
- Adjustable aerator for different water outlet angles
- Includes flex hose with 1/2" female connection
- 1.27 GPM (5.2 lpm) maximum flow rate at 80 psi
- NTC 1644 compliance
- Working temperature: 41-160 °F (5 - 71.1 °C)

SKU	DESCRIPTION	PRESENTATION	PACKING UNIT
01-2606-11	Sion single handle high-height bathroom faucet	Box	6



SION

- Matte black finish with low porosity
- Ceramic disc cartridge assures durability and long-lasting performance
- Single handle provides flow and temperature control
- Highly engineered resin body and premium metal lever handle
- 6" (15.2 cm) spout reach
- Single-hole installation
- Includes connectors
- Includes smart water saving technology
- Wear and corrosion resistant
- Adjustable aerator for different water outlet angles
- Includes flex hose with 1/2" female connection
- Standards compliance: NTC 1644
- ASME A112.18.1 / CSA B125.1
- Working temperature: 41-160 °F (5 - 71.1 °C)
- Domestic use for potable water



SKU	DESCRIPTION	PRESENTATION	PACKING UNIT
01-2603-07	Sion black single handle short-height bathroom faucet	Box	12



SION

- Matte black finish with low porosity
- Ceramic disc cartridge assures durability and long-lasting performance
- Single handle provides flow and temperature control
- Highly engineered resin body and premium metal lever handle
- 11 7/16" (29 cm) spout reach
- Single hole installation
- Includes smart water saving technology
- Chrome finish resists corrosion and tarnishing
- Adjustable aerator for different water outlet angles
- Includes flex hose with 1/2" female connection
- Standards compliance: NTC 1644
- ASME A112.18.1 / CSA B125.1
- Working temperature: 41-160 °F (5 - 71.1 °C)
- Domestic use for potable water



SKU	DESCRIPTION	PRESENTATION	PACKING UNIT
01-2606-07	Sion black single handle high-height bathroom faucet	Box	6



VOGA

- Ceramic disc cartridge assures durability and long-lasting performance
- Single handle provides flow and temperature control
- Premium metal construction
- 6 11/16" (17 cm) spout reach
- Single hole installation
- Includes smart water saving technology
- Chrome finish resists corrosion and tarnishing
- Includes flex hose with 1/2" female connection
- 1.27 GPM (5.2 lpm) maximum flow rate at 80 psi
- NTC 1644 compliance
- Working temperature: 41-160 °F (5 - 71.1 °C)



SKU	DESCRIPTION	PRESENTATION	PACKING UNIT
01-3703-11	Voga single handle short-height bathroom faucet	Box	12



VOGA

- Ceramic disc cartridge assures durability and long-lasting performance
- Single handle provides flow and temperature control
- Premium metal construction
- 12" (30.06 cm) spout height
- Single hole installation
- Includes smart water saving technology
- Chrome finish resists corrosion and tarnishing
- Includes flex hose with 1/2" female connection
- 8,2 lpm (2.14 GPM) maximum flow rate at 80 psi
- NTC 1644 compliance
- Working temperature: 41-160 °F (5 - 71.1 °C)



SKU	DESCRIPTION	PRESENTATION	PACKING UNIT
01-3706-11	Voga single handle short-height bathroom faucet	Box	5

**4" TWO HANDLE LAVATORY FAUCET**

**CALIMA**



- Ceramic disc assures durability and long lasting performance
- Easy 1/4 turn handle rotation
- Premium metal construction
- Two hole installation
- Includes smart water saving technology
- Chrome finish resists corrosion and tarnishing
- 1/2" male connection
- 1.27 GPM (5.2 lpm) maximum flow rate at 80 psi
- NTC 1644 compliance
- Working temperature: 41-160 °F (5 - 71.1 °C)

SKU	DESCRIPTION	PRESENTATION	PACKING UNIT
01-0811-11	4" (10 cm) Calima two handle mixer center set bathroom faucet	Box	12

**HELVETIA**



- Ceramic disc assures durability and long lasting performance
- Easy 1/4 turn handle rotation
- Highly engineered resin construction
- Two hole installation
- Includes smart water saving technology
- Chrome finish resists corrosion and tarnishing
- 1/2" male connection
- 1.27 GPM (5.2 lpm) maximum flow rate at 80 psi
- NTC 1644 compliance
- Working temperature: 41-160 °F (5 - 71.1 °C)

SKU	DESCRIPTION	PRESENTATION	PACKING UNIT
01-0902-11	4" (10 cm) Helvetia two handle mixer center set bathroom faucet	Box	12

**KRISTHAL**



- Ceramic disc assures durability and long lasting performance
- Easy 1/4 turn handle rotation
- Highly engineered resin body and acrylic handles
- Two hole installation
- Includes smart water saving technology
- Chrome finish resists corrosion and tarnishing
- 1/2" male connection
- 1.27 GPM (5.2 lpm) maximum flow rate at 80 psi
- NTC 1644 compliance
- Working temperature: 41-160 °F (5 - 71.1 °C)

SKU	DESCRIPTION	PRESENTATION	PACKING UNIT
01-1102-00	4" (10 cm) Kristhal two handle mixer center set bathroom faucet	Bag	12

**ATLANTICO**



- Ceramic disc assures durability and long lasting performance
- Easy 1/4 turn handle rotation
- Highly engineered resin construction
- Two hole installation
- Includes smart water saving technology
- Chrome finish resists corrosion and tarnishing
- 1/2" male connection
- 1.27 GPM (5.2 lpm) maximum flow rate at 80 psi
- NTC 1644 compliance
- Working temperature: 41-160 °F (5 - 71.1 °C)

SKU	DESCRIPTION	PRESENTATION	PACKING UNIT
01-1302-11	4" (10 cm) Atlantico two handle mixer center set bathroom faucet	Box	12

**TOSCANA**



- Ceramic disc assures durability and long lasting performance
- Easy 1/4 turn handle rotation
- Highly engineered resin construction
- Two hole installation
- Includes smart water saving technology
- Chrome finish resists corrosion and tarnishing
- 1/2" male connection
- 1.27 GPM (5.2 lpm) maximum flow rate at 80 psi
- NTC 1644 compliance
- Working temperature: 41-160 °F (5 - 71.1 °C)

SKU	DESCRIPTION	PRESENTATION	PACKING UNIT
01-1402-11	4" (10 cm) Toscana two handle mixer center set bathroom faucet	Box	12

**4" TWO HANDLE LAVATORY FAUCET**

**TOSCANA**



- Ceramic disc assures durability and long lasting performance
- Easy 1/4 turn handle rotation
- Highly engineered resin construction
- High arch 360° rotating swing spout
- Two hole installation
- Includes smart water saving technology
- Chrome finish resists corrosion and tarnishing
- 360° rotating spout head allowing water outlet in different angles
- 1/2" male connection
- 1.27 GPM (5.2 lpm) maximum flow rate at 80 psi
- NTC 1644 compliance
- Working temperature: 41-160 °F (5 - 71.1 °C)

SKU	DESCRIPTION	PRESENTATION	PACKING UNIT
01-1462-11	4" (10 cm) Toscana two handle mixer center set bathroom faucet	Box	12

**PIANA**



- Ceramic disc assures durability and long lasting performance
- Easy 1/4 turn handle rotation
- Highly engineered resin construction
- Two hole installation
- Includes smart water saving technology
- Chrome finish resists corrosion and tarnishing
- 1/2" male connection
- 1.27 GPM (5.2 lpm) maximum flow rate at 80 psi
- NTC 1644 compliance
- Working temperature: 41-160 °F (5 - 71.1 °C)

SKU	DESCRIPTION	PRESENTATION	PACKING UNIT
01-1502-11	4" (10 cm) Piana two handle mixer center set bathroom faucet	Box	12

**HELIX PALA**



- Ceramic disc assures durability and long lasting performance
- Easy 1/4 turn handle rotation
- Highly engineered resin construction
- Two hole installation
- Includes smart water saving technology
- Chrome finish resists corrosion and tarnishing
- 1/2" male connection
- 1.27 GPM (5.2 lpm) maximum flow rate at 80 psi
- NTC 1644 compliance
- Working temperature: 41-160 °F (5 - 71.1 °C)

SKU	DESCRIPTION	PRESENTATION	PACKING UNIT
01-1702-11	4" (10 cm) Helix Pala two handle mixer center set bathroom faucet	Box	12

**TEDESCA**



- Ceramic disc assures durability and long lasting performance
- Easy 1/4 turn handle rotation
- Highly engineered resin construction
- Two hole installation
- Includes smart water saving technology
- Chrome finish resists corrosion and tarnishing
- 1/2" male connection
- 1.27 GPM (5.2 lpm) maximum flow rate at 80 psi
- NTC 1644 compliance
- Working temperature: 41-160 °F (5 - 71.1 °C)
- Connectors not included

SKU	DESCRIPTION	PRESENTATION	PACKING UNIT
01-1802-11	4" (10 cm) Tedesca two handle mixer center set bathroom faucet	Box	12

**TEDESCA**



- Ceramic disc assures durability and long lasting performance
- Easy 1/4 turn handle rotation
- Highly engineered resin construction
- High arch 360° rotating swing spout
- Two hole installation
- Includes smart water saving technology
- Chrome finish resists corrosion and tarnishing
- 1/2" male connection
- 1.27 GPM (5.2 lpm) maximum flow rate at 80 psi
- NTC 1644 compliance
- Working temperature: 41-160 °F (5 - 71.1 °C)

SKU	DESCRIPTION	PRESENTATION	PACKING UNIT
01-1808-11	4" (10 cm) Tedesca two handle mixer center set bathroom faucet	Box	12

**4" TWO HANDLE LAVATORY FAUCET**

**PRISTINA**



- Ceramic disc assures durability and long lasting performance
- Easy 1/4 turn handle rotation
- Highly engineered resin body and premium metal handles
- Two hole installation
- Includes smart water saving technology
- Chrome finish resists corrosion and tarnishing
- 1/2" male connection
- 1.27 GPM (5.2 lpm) maximum flow rate at 80 psi
- NTC 1644 compliance
- Working temperature: 41-160 °F (5 - 71.1 °C)

SKU	DESCRIPTION	PRESENTATION	PACKING UNIT
01-2802-11	4" (10 cm) Pristina two handle mixer center set bathroom faucet	Box	12

**8" TWO HANDLE LAVATORY FAUCET**

**PORTOBELLO**



- Ceramic disc assures durability and long lasting performance
- Easy 1/4 turn handle rotation
- Premium metal construction
- Three hole installation
- Includes smart water saving technology
- Chrome finish resists corrosion and tarnishing
- 1/2" male connection
- 1.9 GPM (7.2 lpm) maximum flow rate at 80 psi
- NTC 1644 compliance
- Working temperature: 41-160 °F (5 - 71.1 °C)

SKU	DESCRIPTION	PRESENTATION	PACKING UNIT
01-0203-11	8" (20 cm) Portobello two handle mixer wide spread bathroom faucet	Box	12

**CALIMA**



- Ceramic disc assures durability and long lasting performance
- Easy 1/4 turn handle rotation
- Premium metal construction
- Three hole installation
- Includes smart water saving technology
- Chrome finish resists corrosion and tarnishing
- 1/2" male connection
- 1.9 GPM (7.2 lpm) maximum flow rate at 80 psi
- NTC 1644 compliance
- Working temperature: 41-160 °F (5 - 71.1 °C)

SKU	DESCRIPTION	PRESENTATION	PACKING UNIT
01-0812-211	8" (20 cm) Calima two handle mixer wide spread bathroom faucet	Box	1

**HELVETIA**



- Ceramic disc assures durability and long lasting performance
- Easy 1/4 turn handle rotation
- Highly engineered resin construction
- High arch 360° rotating swing spout
- Three hole installation
- Includes smart water saving technology
- Chrome finish resists corrosion and tarnishing
- 1/2" male connection
- 1.9 GPM (7.2 lpm) maximum flow rate at 80 psi
- NTC 1644 compliance
- Working temperature: 41-160 °F (5 - 71.1 °C)

SKU	DESCRIPTION	PRESENTATION	PACKING UNIT
01-0903-11	8" (20 cm) Helvetia two handle mixer wide spread bathroom faucet	Box	12

**KRISTHAL**



- Ceramic disc assures durability and long lasting performance
- Easy 1/4 turn handle rotation
- Highly engineered resin body and acrylic handles
- Three hole installation
- Includes smart water saving technology
- Chrome finish resists corrosion and tarnishing
- 1/2" male connection
- 1.27 GPM (5.2 lpm) maximum flow rate at 80 psi
- NTC 1644 compliance
- Working temperature: 41-160 °F (5 - 71.1 °C)

SKU	DESCRIPTION	PRESENTATION	PACKING UNIT
01-1103-00	8" (20 cm) Kristhal two handle mixer wide spread bathroom faucet	Box	12

8" TABLE SINK MIXERS

ATLANTICO



- Ceramic disc assures durability and long lasting performance
- Easy 1/4 turn handle rotation
- Highly engineered resin construction
- Three hole installation
- Includes smart water saving technology
- Chrome finish resists corrosion and tarnishing
- 1/2" male connection
- 1.27 GPM (5.2 lpm) maximum flow rate at 80 psi
- NTC 1644 compliance
- Working temperature: 41-160 °F (5 - 71.1 °C)

SKU	DESCRIPTION	PRESENTATION	PACKING UNIT
01-1303-11	8" (20 cm) Atlantico two handle mixer wide spread bathroom faucet	Box	12

TOSCANA



- Ceramic disc assures durability and long lasting performance
- Easy 1/4 turn handle rotation
- Highly engineered resin construction
- High arch 360° rotating swing spout
- Three hole installation
- Includes smart water saving technology
- Chrome finish resists corrosion and tarnishing
- 360° spout head allowing water outlet in different angles
- 1/2" male connection
- 1.27 GPM (5.2 lpm) maximum flow rate at 80 psi
- NTC 1644 compliance
- Working temperature: 41-160 °F (5 - 71.1 °C)

SKU	DESCRIPTION	PRESENTATION	PACKING UNIT
01-1403-11	8" (20 cm) Toscana two handle mixer wide spread bathroom faucet	Box	12

PIANA



- Ceramic disc assures durability and long lasting performance
- Easy 1/4 turn handle rotation
- Highly engineered resin construction
- Three hole installation
- Includes smart water saving technology
- Chrome finish resists corrosion and tarnishing
- 1/2" male connection
- 1.27 GPM (5.2 lpm) maximum flow rate at 80 psi
- NTC 1644 compliance
- Working temperature: 41-160 °F (5 - 71.1 °C)

SKU	DESCRIPTION	PRESENTATION	PACKING UNIT
01-1503-11	8" (20 cm) Piana two handle mixer wide spread bathroom faucet	Box	12

HELIX PALA



- Ceramic disc assures durability and long lasting performance
- Easy 1/4 turn handle rotation
- Highly engineered resin construction
- Three hole installation
- Includes smart water saving technology
- Chrome finish resists corrosion and tarnishing
- 1/2" male connection
- 1.27 GPM (5.2 lpm) maximum flow rate at 80 psi
- NTC 1644 compliance
- Working temperature: 41-160 °F (5 - 71.1 °C)

SKU	DESCRIPTION	PRESENTATION	PACKING UNIT
01-1703-11	8" (20 cm) Helix Pala two handle mixer wide spread bathroom faucet	Box	12

TEDESCA



- Ceramic disc assures durability and long lasting performance
- Easy 1/4 turn handle rotation
- Highly engineered resin construction
- High arch 360° rotating swing spout
- Three hole installation
- Includes smart water saving technology
- Chrome finish resists corrosion and tarnishing
- 1/2" male connection
- 1.27 GPM (5.2 lpm) maximum flow rate at 80 psi
- NTC 1644 compliance
- Working temperature: 41-160 °F (5 - 71.1 °C)

SKU	DESCRIPTION	PRESENTATION	PACKING UNIT
01-1803-11	8" (20 cm) Tedesca two handle mixer wide spread bathroom faucet	Box	12



**8" TWO HANDLE LAVATORY FAUCET**

**PRISTINA**



- Ceramic disc assures durability and long lasting performance
- Easy 1/4 turn handle rotation
- Highly engineered resin body and premium metal handles
- High arch 360° rotating swing spout
- Three hole installation
- Includes smart water saving technology
- Chrome finish resists corrosion and tarnishing
- 1/2" male connection
- 1.27 GPM (5.2 lpm) maximum flow rate at 80 psi
- NTC 1644 compliance
- Working temperature: 41-160 °F (5 - 71.1 °C)

SKU	DESCRIPTION	PRESENTATION	PACKING UNIT
01-2803-11	8" (20 cm) Pristina two handle mixer wide spread bathroom faucet	Box	12

**8" TWO HANDLE LAVATORY WALL FAUCET**

**PORTOBELLO**



- Ceramic disc assures durability and long lasting performance
- Easy 1/4 turn handle rotation
- Premium metal construction
- Three hole installation
- Includes smart water saving technology
- Chrome finish resists corrosion and tarnishing
- 1/2" female connection
- 1.27 GPM (5.2 lpm) maximum flow rate at 80 psi
- NTC 1644 compliance
- Working temperature: 41-160 °F (5 - 71.1 °C)

SKU	DESCRIPTION	PRESENTATION	PACKING UNIT
01-0208-11	8" (20 cm) Portobello two handle mixer wall mount bathroom faucet	Box	6

**PRISTINA**



- Ceramic disc assures durability and long lasting performance
- Easy 1/4 turn handle rotation
- Premium metal construction
- Three hole installation
- Includes smart water saving technology
- Chrome finish resists corrosion and tarnishing
- 1/2" female connection
- 1.27 GPM (5.2 lpm) maximum flow rate at 80 psi
- NTC 1644 compliance
- Working temperature: 41-160 °F (5 - 71.1 °C)

SKU	DESCRIPTION	PRESENTATION	PACKING UNIT
01-2826-11	8" (20 cm) Pristina two handle mixer wall mount bathroom faucet	Box	12

**TEDESCA**



- Ceramic disc assures durability and long lasting performance
- Easy 1/4 turn handle rotation
- Premium metal body and Highly engineered resin handles
- Three hole installation
- Includes smart water saving technology
- Chrome finish resists corrosion and tarnishing
- 1/2" female connection
- 1.27 GPM (5.2 lpm) maximum flow rate at 80 psi
- NTC 1644 compliance
- Working temperature: 41-160 °F (5 - 71.1 °C)

SKU	DESCRIPTION	PRESENTATION	PACKING UNIT
GS-1816-11	8" (20 cm) Tedesca two handle mixer wall mount bathroom faucet	Box	6

**ONE HANDLE SHOWER**

**CALIMA**



- Ceramic disc assures durability and long lasting performance
- Easy 1/4 turn handle rotation
- Premium metal construction
- Single hole installation
- Includes smart water saving technology
- Single water input
- Chrome finish resists corrosion and tarnishing
- 1/2" male connection
- 1.27 GPM (5.2 lpm) maximum flow rate at 80 psi
- NTC 1644 compliance
- Working temperature: 41-160 °F (5 - 71.1 °C)

SKU	DESCRIPTION	PRESENTATION	PACKING UNIT
01-0815-211	Calima brass one handle bathroom faucet	Box	24

ONE HANDLE BATHROOM FAUCETS



HELVETIA

- Ceramic disc assures durability and long lasting performance
- Easy 1/4 turn handle rotation
- Highly engineered resin construction
- Single hole installation
- Includes smart water saving technology
- Single water input
- Chrome finish resists corrosion and tarnishing
- 1/2" male connection
- 1.69 GPM (6.4 lpm) maximum flow rate at 80 psi
- NTC 1644 compliance
- Working temperature: 41-160 °F (5 - 71.1 °C)

SKU	DESCRIPTION	PRESENTATION	PACKING UNIT
01-0900-11	Helvetia one handle bathroom faucet	Box	24



KRISTHAL

- Ceramic disc assures durability and long lasting performance
- Easy 1/4 turn handle rotation
- Highly engineered resin body and acrylic handle
- Single hole installation
- Includes smart water saving technology
- Single water input
- Chrome finish resists corrosion and tarnishing
- 1/2" male connection
- 1.69 GPM (6.4 lpm) maximum flow rate at 80 psi
- NTC 1644 compliance
- Working temperature: 41-160 °F (5 - 71.1 °C)

SKU	DESCRIPTION	PRESENTATION	PACKING UNIT
01-1100-00	Kristhal one handle bathroom faucet	Box	24



ATLANTICO

- Ceramic disc assures durability and long lasting performance
- Easy 1/4 turn handle rotation
- Highly engineered resin construction
- Single hole installation
- Includes smart water saving technology
- Single water input
- Chrome finish resists corrosion and tarnishing
- 1/2" male connection
- 1.69 GPM (6.4 lpm) maximum flow rate at 80 psi
- NTC 1644 compliance
- Working temperature: 41-160 °F (5 - 71.1 °C)

SKU	DESCRIPTION	PRESENTATION	PACKING UNIT
01-1300-11	Atlantico one handle bathroom faucet	Box	24



TOSCANA

- Ceramic disc assures durability and long lasting performance
- Easy 1/4 turn handle rotation
- Highly engineered resin construction
- Single hole installation
- Includes smart water saving technology
- Single water input
- Chrome finish resists corrosion and tarnishing
- 1/2" male connection
- 1.69 GPM (6.4 lpm) maximum flow rate at 80 psi
- NTC 1644 compliance
- Working temperature: 41-160 °F (5 - 71.1 °C)

SKU	DESCRIPTION	PRESENTATION	PACKING UNIT
01-1400-11	Toscana one handle bathroom faucet	Box	24



PIANA

- Ceramic disc assures durability and long lasting performance
- Easy 1/4 turn handle rotation
- Highly engineered resin construction
- Single hole installation
- Includes smart water saving technology
- Single water input
- Chrome finish resists corrosion and tarnishing
- 1/2" male connection
- 1.69 GPM (6.4 lpm) maximum flow rate at 80 psi
- NTC 1644 compliance
- Working temperature: 41-160 °F (5 - 71.1 °C)

SKU	DESCRIPTION	PRESENTATION	PACKING UNIT
01-1500-11	Piana one handle bathroom faucet	Box	24

ONE HANDLE BATHROOM FAUCETS

HELIX PALA



- Ceramic disc assures durability and long lasting performance
- Easy 1/4 turn handle rotation
- Highly engineered resin construction
- Single hole installation
- Includes smart water saving technology
- Single water input
- Chrome finish resists corrosion and tarnishing
- 1/2" male connection
- 1.69 GPM (6.4 lpm) maximum flow rate at 80 psi
- NTC 1644 compliance
- Working temperature: 41-160 °F (5 - 71.1 °C)

SKU	DESCRIPTION	PRESENTATION	PACKING UNIT
01-1700-11	Helix Pala one handle bathroom faucet	Box	24

TEDESCA



- Ceramic disc assures durability and long lasting performance
- Easy 1/4 turn handle rotation
- Highly engineered resin construction
- Single hole installation
- Includes smart water saving technology
- Single water input
- Chrome finish resists corrosion and tarnishing
- 1/2" male connection
- 1.69 GPM (6.4 lpm) maximum flow rate at 80 psi
- NTC 1644 compliance
- Working temperature: 41-160 °F (5 - 71.1 °C)

SKU	DESCRIPTION	PRESENTATION	PACKING UNIT
01-1800-11	Tedesca one handle bathroom faucet	Box	24

PRISTINA



- Ceramic disc assures durability and long lasting performance
- Easy 1/4 turn handle rotation
- Premium metal construction
- Single hole installation
- Includes smart water saving technology
- Single water input
- Chrome finish resists corrosion and tarnishing
- 1/2" male connection
- 1.27 GPM (5.2 lpm) maximum flow rate at 80 psi
- NTC 1644 compliance
- Working temperature: 41-160 °F (5 - 71.1 °C)

SKU	DESCRIPTION	PRESENTATION	PACKING UNIT
01-2815-211	Pristina brass one handle bathroom faucet	Box	24

BATHROOM ACCESSORIES - HOOKS

PORTOBELLO



- Premium metal construction
- Includes wall screws for wall installation
- Chrome finish resists corrosion and tarnishing
- Concealed installation
- NTC 5339 compliance

SKU	DESCRIPTION	PRESENTATION	PACKING UNIT
01-2559-11	Portobello brass bathroom hook	Box	12

CONTEMPRA



- Highly engineered resin construction
- Includes wall screws for wall installation
- Chrome finish resists corrosion and tarnishing
- Concealed wall installation
- NTC 5339 compliance

SKU	DESCRIPTION	PRESENTATION	PACKING UNIT
BL-2502-11	Contempra bathroom hook	Skin Pack	60

**BATHROOM ACCESSORIES - TOWEL RAILS**



**PORTOBELLO**

- Premium metal construction
- Includes wall screws for wall installation
- Chrome finish resists corrosion and tarnishing
- Length: 22 5/8" (57.5 cm)
- Concealed wall installation
- NTC 5339 compliance

SKU	DESCRIPTION	PRESENTATION	PACKING UNIT
<b>01-2555-11</b>	Portobello brass towel bar	Box	36



**PORTOBELLO**

- Premium metal construction
- Includes wall screws for wall installation
- Chrome finish resists corrosion and tarnishing
- Ring dimension: 9" X 4 9/16" (23 X 11.6 cm)
- Concealed wall installation
- NTC 5339 compliance

SKU	DESCRIPTION	PRESENTATION	PACKING UNIT
<b>01-2558-11</b>	Portobello brass towel ring	Box	12



**CONTEMPRA**

- Highly engineered resin construction
- Includes wall screws for wall installation
- Chrome finish resists corrosion and tarnishing
- Ring dimension: 6 13/16" X 5 1/4" (17.3 X 13.3 cm)
- Concealed wall installation
- NTC 5339 compliance

SKU	DESCRIPTION	PRESENTATION	PACKING UNIT
<b>BL-2504-11</b>	Contemptra towel ring	Blister	30



**CONTEMPRA**

- Highly engineered resin construction
- Includes wall screws for wall installation
- Chrome finish resists corrosion and tarnishing
- Length: 17 23/32" (45 cm)
- Concealed wall installation
- NTC 5339 compliance

SKU	DESCRIPTION	PRESENTATION	PACKING UNIT
<b>BL-2507-11</b>	Contemptra towel bar	Blister	18

**BATHROOM ACCESSORIES - TOOTHBRUSH HOLDER**



**CONTEMPRA**

- Highly engineered resin construction
- Acrylic cup
- Includes wall screws for wall installation
- Chrome finish resists corrosion and tarnishing
- Concealed wall installation
- NTC 5339 compliance

SKU	DESCRIPTION	PRESENTATION	PACKING UNIT
<b>BL-2506-11</b>	Contemptra toothbrush holder	Blister	30

**BATHROOM ACCESSORIES - PAPER HOLDER**



**PORTOBELLO**

- Premium metal construction
- Includes wall screws for wall installation
- Chrome finish resists corrosion and tarnishing
- Concealed wall installation
- NTC 5339 compliance

SKU	DESCRIPTION	PRESENTATION	PACKING UNIT
01-2557-11	Portobello brass paper holder	Box	12



**CONTEMPRA**

- Highly engineered resin construction
- Includes wall screws for wall installation
- Chrome finish resists corrosion and tarnishing
- Concealed wall installation
- NTC 5339 compliance

SKU	DESCRIPTION	PRESENTATION	PACKING UNIT
BL-2503-11	Contemptra paper holder	Skin Pack	28

**BATHROOM ACCESSORIES - SOAP DISHES**



**PORTOBELLO**

- Premium metal construction
- Glass soap holder
- Includes wall screws for wall installation
- Chrome finish resists corrosion and tarnishing
- Concealed wall installation
- NTC 5339 compliance

SKU	DESCRIPTION	PRESENTATION	PACKING UNIT
01-2553-11	Portobello brass-glass soap dish	Box	12



**PORTOBELLO**

- Premium metal construction
- Includes wall screws for wall installation
- Chrome finish resists corrosion and tarnishing
- Concealed wall installation
- NTC 5339 compliance

SKU	DESCRIPTION	PRESENTATION	PACKING UNIT
01-2554-11	Portobello brass basket soap dish	Box	12



**CONTEMPRA SOAP DISH**

- Highly engineered resin construction
- Acrylic soap holder
- Includes wall screws for wall installation
- Chrome finish resists corrosion and tarnishing
- Concealed wall installation
- NTC 5339 compliance

SKU	DESCRIPTION	PRESENTATION	PACKING UNIT
BL-2505-11	Contemptra soap dish	Blister	56

**BATHROOM ACCESSORIES - SETS**

**3 PIECES CONTEMPRA SET**



**Includes**

- BL-2502-11 Hook
- BL-2505-11 Soap dish
- BL-2503-11 Paper holder

SKU	DESCRIPTION	PRESENTATION	PACKING UNIT
BL-2508-11	3 pieces Contempra set	Blister	18

**4 PIECES CONTEMPRA SET**



**Includes**

- BL-2502-11 Hook
- BL-2505-11 Soap Dish
- BL-2503-11 Paper Holder
- BL-2504-11 Towel ring

SKU	DESCRIPTION	PRESENTATION	PACKING UNIT
BL-2509-11	4 pieces Contempra set	Blister	18

**5 PIECES CONTEMPRA SET**



**Includes**

- BL-2502-11 Hook
- BL-2505-11 Soap Dish
- BL-2503-11 Paper Holder
- BL-2507-11 Towel bar
- BL-2506-11 Toothbrush holder

SKU	DESCRIPTION	PRESENTATION	PACKING UNIT
BL-2510-11	5 pieces Contempra set	Blister	12

**6 PIECES CONTEMPRA SET**



**Includes**

- BL-2502-11 Hook
- BL-2505-11 Soap Dish
- BL-2503-11 Paper Holder
- BL-2504-11 Towel ring
- BL-2507-11 Towel bar
- BL-2506-11 Toothbrush holder

SKU	DESCRIPTION	PRESENTATION	PACKING UNIT
BL-2511-11	6 pieces Contempra set	Blister	12

**BATHROOM SINK**

**DALY II VESSEL SINK**



- Vitreous porcelain construction that prevents porosity and absorption
- Vessel design
- Ideal for long single handle or wall faucet installation
- Dimension: 2 3/8" (6 cm) diameter x 5 5/16" (13,5 cm) height
- Countertop installation
- Includes: pop-up drain without overflow ref: 01-2900-11S
- P chrome sink trap ref: 01-9997-11S
- Bathroom table must be cut considering the internal dimensions of the drain
- NTC 920 compliance

SKU	DESCRIPTION	PRESENTATION	PACKING UNIT
01-2053-15	Daly II vessel sink with accessories	Box	1

**GEB VESSEL SINK**



- Vitreous porcelain construction that prevents porosity and absorption
- Vessel design
- Ideal for short single handle installation
- Dimensions: 21 5/8" (55 cm) long X 16 1/2" (42 cm) high
- Includes: pop-up drain without overflow, ref: 01-2904-11, Bottle sink trap ref: 01-1940-04
- With overflow drain that prevents outpouring
- Countertop installation
- Bathroom table must be cut considering the internal dimensions of the drain
- NTC 920 compliance

SKU	DESCRIPTION	PRESENTATION	PACKING UNIT
01-4018-15	Geb vessel sink with accessories	Box	1

**HESTIA VESSEL SINK**



- Vitreous porcelain construction that prevents porosity and absorption
- Vessel design
- Ideal for long single handle or wall faucet installation
- Dimensions: 16 1/2" (42 cm) wide X 4 5/16" (11 cm) high
- Includes: pop-up drain without overflow ref: 01-2900-11S, P plastic sink trap ref: 01-9997-11S
- Countertop installation
- Bathroom table must be cut considering the internal dimensions of the drain
- NTC 920 compliance

SKU	DESCRIPTION	PRESENTATION	PACKING UNIT
01-4062-15	Hestia vessel sink with accessories	Box	1

**KHANOS VESSEL SINK**



- Vitreous porcelain construction that prevents porosity and absorption
- Vessel design
- Ideal for long single handle or wall faucet installation
- Dimensions: 17" (43 cm) long X 17" (43 cm) wide X 5 5/16" (13,5 cm) high.
- Includes: pop-up drain without overflow ref: 01-2900-11S, Bottle sink trap ref: 01-1940-04S
- Countertop installation
- Bathroom table must be cut considering the internal dimensions of the drain
- NTC 920 compliance

SKU	DESCRIPTION	PRESENTATION	PACKING UNIT
01-4072-15	Khanos vessel sink with accessories	Box	1

**BATHROOM SINK**

**NEB VESSEL SINK**



- Vitreous porcelain construction that prevents porosity and absorption
- Vessel design
- Ideal for long single handle or wall faucet installation
- Dimension: 58 cm of length x 33 1/2" (9 cm) width x 13 cm height
- Includes: pop-up drain without overflow, ref: 01-2900-11S, Bottle sink trap ref: 01-1940-04S
- Countertop installation
- Bathroom table must be cut considering the internal dimensions of the drain
- NTC 920 compliance

SKU	DESCRIPTION	PRESENTATION	PACKING UNIT
01-4073-15	Neb vessel sink with accessories	Box	1

**OVAL II VESSEL SINK**



- Vitreous porcelain construction that prevents porosity and absorption
- Undermount design
- Ideal for simple mixer faucets of 4" or 8"
- With faucet holes
- Dimensions: 19 5/16" (49 cm) long X 17" (43 cm) wide X 7 1/2" (19 cm) high.
- Includes: Drain with overflow ref: 01-1936-11S, Bottle sink trap ref: 01-1940-04S
- With overflow drain that prevents outpouring
- Anti-fungal silicone installation
- Bathroom table must be cut considering the internal dimensions of the drain
- NTC 920 compliance

SKU	DESCRIPTION	PRESENTATION	PACKING UNIT
01-4079-15	Oval II vessel sink with accessories	Box	1

**TOILETS**

**FIRENZE II ONE-PIECE ELONGATED 2 GALLON (6.4L) DUAL FLUSH WHITE TOILET**



- Vitreous porcelain construction that prevents porosity and absorption
- One-piece design with concealed sink and easy to clean bowl
- Dual flush with push button
- High performance flushing saves water consumption
- Dimension: 26 3/4" (68 cm) long X 13 3/4" (35 cm) wide x 26 3/4" (68 cm) high
- Includes: elongated soft-close toilet seat, water supply stop valve ref: 01-1918-15 and connector ref: 01-1921-00
- Toilet design incorporating jet technology optimizes flushing
- Closed ring makes easy to clean inside of the bowl
- Installation must allow 11 5/8" (29,5 cm) from wall to the outflow spout Consumption: 2 GPF (6,8 lpd)
- NTC 920 compliance

SKU	DESCRIPTION	PRESENTATION	PACKING UNIT
01-2047-15	Firenze II one-piece elongated 2 gallon (6.4L) dual flush white toilet with accessories	Box	1

**VIVALDI ONE-PIECE ELONGATED DUAL FLUSH TOILET**



- Vitreous porcelain construction that prevents porosity and absorption
- One-piece design
- Double flushing with push button
- High performance flushing saving water consumption
- Dimensions: 26 3/4" (68 cm) long x 16" (40,5 cm) wide x 23 5/8" (60 cm) high
- Includes: Elongated soft-close toilet seat, water supply stop valve ref: 01-1918-15 and connector ref: 01-1921-00
- Toilet design incorporating jet technology optimizes flushing
- Closed ring makes easy to clean inside of the bowl
- Installation must allow 12" (30,5 cm) from wall to the outflow spout
- Consumption: 1.6 GPF (6 Lpd) -solids- and 1.05 GPF (4 Lpd) -liquids-
- NTC 920 compliance

SKU	DESCRIPTION	PRESENTATION	PACKING UNIT
01-4071-315	Vivaldi one-piece elongated dual flush white toilet with accessories	Box	1





GRICOL

SINCE 1962



**KITCHEN**

SINGLE HANDLE KITCHEN SINK FAUCETS



VIVALDI

- Sealing system: cartridge with ceramic discs for maximum du performance
- Single handle temperature control Metal body and handles 11" (28 cm) height
- Single hole installation 360° rotating arm
- Built-in aerator for low water consumption
- Wear and corrosion resistant chrome plating
- Connection: 1/2" female thread NPSM
- Average consumption: 1.37 GPM (5.2 L/min) at 80 psi
- Compliance with standards: NTC 1644
- Working temperature: 41°F a 159.8°F (5°C to 71°C)
- Maximum static working pressure: 860 kPa (125 psi)
- Includes connectors

SKU	DESCRIPTION	PRESENTATION	PACKING UNIT
01-2115-11	Vivaldi single lever dishwasher mixer	Box	12



TIFFANY

- Sealing system: cartridge with ceramic discs for maximum du performance
- Single handle temperature control Metal body and handles 11" (28 cm) height
- Single hole installation 360° rotating arm
- Built-in aerator for low water consumption
- Wear and corrosion resistant chrome plating
- Connection: 1/2" female thread NPSM
- Average consumption: 1.37 GPM (5.2 L/min) at 80 psi
- Compliance with standards: NTC 1644
- Working temperature: 41-160 °F (5 - 71.1 °C)
- Maximum static working pressure: 860 kPa (125 psi)
- Includes connectors

SKU	DESCRIPTION	PRESENTATION	PACKING UNIT
01-2209-11	Single lever dishwasher mixer Tiffany	Box	12



SION

- Sealing system: cartridge with ceramic discs for maximum du performance
- Single handle temperature control
- Highly engineered resin body, metal arm and handle
- Height 15.3" (39 cm)
- Single hole installation
- 360-degree rotatable spout
- Built-in aerator for low water consumption
- Wear and corrosion resistant chrome plating
- Connection: 1/2" female thread NPSM
- Meets ASME A112.18.1/CSA B125.1
- Average Consumption: 1.37 GPM (5.2 L/min) at 80 psi
- Working temperature: 41-160 °F (5 - 71.1 °C)
- Maximum static working pressure: 860 kPa (125 psi)
- Includes connectors

SKU	DESCRIPTION	PRESENTATION	PACKING UNIT
01-2615-11	Sion Single Kitchen Sink Faucet	Box	12



SION

- Matte black finish with low porosity
- Sealing system: cartridge with ceramic discs for maximum du performance
- Single handle temperature control
- Highly engineered resin body, metal arm and handle
- Height 15.3" (39 cm)
- Single hole installation
- 360-degree rotatable spout
- Built-in aerator for low water consumption
- Wear and corrosion resistant chrome plating
- Connection: 1/2" female thread NPSM
- Average consumption: 1.37 GPM (5.2 L/min) at 80 psi
- Standards compliance: NTC 1644
- ASME A112.18.1 / CSA B125.1
- Working temperature: 41-160 °F (5 - 71.1 °C)
- Includes connectors



SKU	DESCRIPTION	PRESENTATION	PACKING UNIT
01-2615-07	Sion black Single Kitchen Sink Faucet	Box	12



MAIRA

- Pull-out single lever mixer design with pull-out head
- Closure system: cartridge with ceramic discs for maximum performance
- Single handle temperature control Metal body and handle 15" (38.4 cm) height
- Single hole installation
- 360° swivel arm Chrome plated wear and corrosion resistant
- Connection: 1/2" female thread NPSM
- Average consumption: 2.1 GPM (8.3 L/min) at 80 psi
- Standards compliance: NTC 1644
- Working temperature: 41-160 °F (5 - 71.1 °C)
- Maximum static working pressure: 860 kPa (125 psi)
- Includes connectors



SKU	DESCRIPTION	PRESENTATION	PACKING UNIT
01-3808-11	Single lever dishwasher mixer Maira	Box	5



TIRSO

- Pull-out single lever mixer design with pull-out head
- Closure system: cartridge with ceramic discs for maximum durability with optimum performance
- Single handle temperature control
- Metal body and handle
- Silicone hose 13" (34.3 cm) height
- Single hole installation 360° swivel arm
- Built-in aerator for low water consumption
- Wear and corrosion resistant chrome plating
- Connection: 1/2" NPSM female thread
- Average consumption: 1.74 GPM (6.6 L/min) at 80 psi
- Compliance with standards: NTC 1644
- Working temperature: 41-160 °F (5 - 71.1 °C)
- Maximum static working pressure: 860 kPa (125 psi)
- Includes connectors



SKU	DESCRIPTION	PRESENTATION	PACKING UNIT
01-3908-01	Single lever dishwasher mixer Tirso red	Box	5

SINGLE HANDLE KITCHEN SINK FAUCETS



TIRSO

- Pull-out single lever mixer design with pull-out head
- Closure system: cartridge with ceramic discs for maximum durability with optimum performance
- Single handle temperature control
- Metal body and handle
- Silicone hose 13" 34.3 cm height
- Single hole installation 360° swivel arm
- Built-in aerator for low water consumption
- Wear and corrosion resistant chrome plating
- Connection: 1/2" NPSM female thread
- Average consumption: 1.74 GPM (6.6 L/min) at 80 psi
- Compliance with standards: NTC 1644
- Working temperature: 41-160 °F (5 - 71.1 °C)
- Maximum static working pressure: 860 kPa (125 psi)
- Includes connectors



SKU	DESCRIPTION	PRESENTATION	PACKING UNIT
01-3908-02	Dishwasher mixer Tirso blue	Box	5



TIRSO

- Pull-out single lever mixer design with pull-out head
- Closure system: cartridge with ceramic discs for maximum durability with optimum performance
- Single handle temperature control
- Metal body and handle
- Silicone hose 13" 34.3 cm height
- Single hole installation 360° swivel arm
- Built-in aerator for low water consumption
- Wear and corrosion resistant chrome plating
- Connection: 1/2" NPSM female thread
- Average consumption: 1.74 GPM (6.6 L/min) at 80 psi
- Compliance with standards: NTC 1644
- Working temperature: 41-160 °F (5 - 71.1 °C)
- Maximum static working pressure: 860 kPa (125 psi)
- Includes connectors



SKU	DESCRIPTION	PRESENTATION	PACKING UNIT
01-3908-07	Dishwasher mixer Tirso Black	Box	5



TIRSO

- Pull-out single lever mixer design with pull-out head
- Closure system: cartridge with ceramic discs for maximum durability with optimum performance
- Single handle temperature control Metal body and handle
- Silicone hose 13" 34.3 cm height
- Single hole installation 360° swivel arm
- Built-in aerator for low water consumption
- Wear and corrosion resistant chrome plating
- Connection: 1/2" NPSM female thread
- Average consumption: 1.74 GPM (6.6 L/min) at 80 psi
- Compliance with standards: NTC 1644
- Working temperature: 41-160 °F (5 - 71.1 °C)
- Maximum static working pressure: 860 kPa (125 psi)
- Includes connectors



SKU	DESCRIPTION	PRESENTATION	PACKING UNIT
01-3908-15	Dishwasher mixer Tirso White	Box	5



TIRSO

- Pull-out single lever mixer design with pull-out head
- Closure system: cartridge with ceramic discs for maximum durability with optimum performance
- Single handle temperature control Metal body and handle
- Silicone hose 13" 34.3 cm height
- Single hole installation 360° swivel arm
- Built-in aerator for low water consumption
- Wear and corrosion resistant chrome plating
- Connection: 1/2" NPSM female thread
- Average consumption: 1.74 GPM (6.6 L/min) at 80 psi
- Compliance with standards: NTC 1644
- Working temperature: 41-160 °F (5 - 71.1 °C)
- Maximum static working pressure: 860 kPa (125 psi)
- Includes connectors



SKU	DESCRIPTION	PRESENTATION	PACKING UNIT
01-3908-17	Dishwasher mixer Tirso Orange	Box	5



TIRSO

- Pull-out single lever mixer design with pull-out head
- Closure system: cartridge with ceramic discs for maximum durability with optimum performance
- Single handle temperature control
- Metal body and handle
- Silicone hose 13" 34.3 cm height
- Single hole installation 360° swivel arm
- Built-in aerator for low water consumption
- Wear and corrosion resistant chrome plating
- Connection: 1/2" NPSM female thread
- Average consumption: 1.74 GPM (6.6 L/min) at 80 psi
- Compliance with standards: NTC 1644
- Working temperature: 41-160 °F (5 - 71.1 °C)
- Maximum static working pressure: 860 kPa (125 psi)
- Includes connectors



SKU	DESCRIPTION	PRESENTATION	PACKING UNIT
01-3908-18	Dishwasher mixer Tirso Purple	Box	5

SINGLE HANDLE KITCHEN SINK FAUCETS



GARDA

- Pull-out single lever mixer design with pull-out head
- Closure system: cartridge with ceramic discs for maximum durability with optimum performance
- Single handle temperature control
- Independent temperature setting allows you to always turn water at a set temperature
- Metal body and handle 12" (33 cm) height
- Single hole installation 360° rotating arm

- Built-in aerator for low water consumption
- Wear and corrosion resistant chrome plating
- Connection: 1/2" NPSM female thread
- Average consumption: 1.5 GPM (5.9 L/min) at 80 psi
- Compliance with standards: NTC 1644
- Working temperature: 41-160 °F (5 - 71.1 °C)
- Maximum static working pressure: 860 kPa (125 psi)



SKU	DESCRIPTION	PRESENTATION	PACKING UNIT
01-4107-11	Dishwasher mixer Garda	Box	5

8" TWO HANDLE KITCHEN SINK FAUCET



CALIMA

- Ceramic pad locking system for maximum durability with optimum performance
- Easy 1/4 turn locking
- Metal body, arm and handles
- 360° rotating arm
- Two hole installation
- Built-in aerator for low water consumption
- Chrome-plated for wear and corrosion resistance - Chrome-corrosion resistance

- Connection: 1/2" NPSM male thread - Chrome plated for low Chrome plated for low water consumption
- Average consumption: 1.3 GPM (5.2 L/min) at 80 psi - Average flow rat
- Standards compliance: NTC 1644
- Working temperature: 41-160 °F (5 - 71.1 °C)
- Maximum static working pressure: 860 kPa (125 psi) - Maxim pressure: 860 kPa (125 psi)

SKU	DESCRIPTION	PRESENTATION	PACKING UNIT
01-0801-11	Dishwasher mixer 8" Calima	Box	12



CALIMA

- Ceramic pad locking system for maximum durability with optimum performance
- Easy 1/4 turn locking
- Metal body, arm and handles
- 360° rotating arm
- Two hole installation
- Built-in aerator for low water consumption
- Chrome-plated for wear and corrosion resistance - Chrome-corrosion resistance

- Connection: 1/2" NPSM male thread - Chrome plated for low Chrome plated for low water consumption
- Average consumption: 1.3 GPM (5.2 L/min) at 80 psi - Average flow rat
- Standards compliance: NTC 1644
- Working temperature: 41-160 °F (5 - 71.1 °C)
- Maximum static working pressure: 860 kPa (125 psi) - Maxim pressure: 860 kPa (125 psi)

SKU	DESCRIPTION	PRESENTATION	PACKING UNIT
01-0841-11	Table mixer 8" exposed body Calima	Box	12



HELVETIA

- Ceramic pad locking system for maximum durability with optimum performance
- Easy 1/4 turn locking
- Metal body, arm and handles
- 360° rotating arm
- Two hole installation
- Built-in aerator for low water consumption
- Chrome-plated for wear and corrosion resistance - Chrome-corrosion resistance

- Connection: 1/2" NPSM male thread - Chrome plated for low Chrome plated for low water consumption
- Average consumption: 1.3 GPM (5.2 L/min) at 80 psi - Average flow rat
- Standards compliance: NTC 1644
- Working temperature: 41-160 °F (5 - 71.1 °C)
- Maximum static working pressure: 860 kPa (125 psi) - Maxim pressure: 860 kPa (125 psi)

SKU	DESCRIPTION	PRESENTATION	PACKING UNIT
01-0928-11	Dishwasher mixer 8" Helvetia	Box	12



KRISTHAL

- Ceramic pad locking system for maximum durability with optimum performance
- Easy 1/4 turn locking
- Highly engineered resin body and acrylic resin handles
- 360° swivel arm
- Two hole installation
- Built-in aerator for low water consumption
- Chrome-plated for wear and corrosion resistance - Chrome-corrosion resistance

- Connection: 1/2" NPSM male threads - Chrome-plated for low Chrome plated for low water consumption
- Average consumption: 1.3 GPM (5.2 L/min) at 80 psi - Average flow rat
- Standards compliance: NTC 1644
- Working temperature: 41-160 °F (5 - 71.1 °C)
- Maximum static working pressure: 860 kPa (125 psi) - Maxim pressure: 860 kPa (125 psi)

SKU	DESCRIPTION	PRESENTATION	PACKING UNIT
01-1138-00	Dishwasher mixer 8" Kristhal	Box	12

8" TWO HANDLE KITCHEN SINK FAUCET

ATLANTICO



- Ceramic pad locking system for maximum durability with optimum performance
- Easy 1/4 turn locking
- Highly engineered resin body and handles - Highly engineered handles
- 360° swivel arm
- Two hole installation
- Built-in aerator for low water consumption
- Chrome-plated for wear and corrosion resistance - Chrome-corrosion resistance
- Connection: 1/2" NPSM male threads - Chrome-plated for low
- Average consumption: 1.3 GPM (5.2 L/min) at 80 psi - Average flow rate
- Standards compliance: NTC 1644
- Working temperature: 41-160 °F (5 - 71.1 °C)
- Maximum static working pressure: 860 kPa (125 psi) - Maximum pressure: 860 kPa (125 psi)

SKU	DESCRIPTION	PRESENTATION	PACKING UNIT
01-1338-11	Dishwasher mixer 8" Atlantico	Box	12

TOSCANA



- Ceramic pad locking system for maximum durability with optimum performance
- Easy 1/4 turn locking
- Highly engineered resin body and handles - Highly engineered handles
- 360-degree rotatable spout
- Two hole installation
- Built-in aerator for low water consumption
- Chrome-plated for wear and corrosion resistance
- Connection: 1/2" NPSM male
- 360° rotatable head to control the water outlet angle
- Average consumption: 1.3 GPM (5.2 L/min) at 80 psi
- Meets ASME A112.18.1/CSA B125.1
- Working temperature: 41-160 °F (5 - 71.1 °C)
- Maximum static working pressure: 860 kPa (125 psi)

SKU	DESCRIPTION	PRESENTATION	PACKING UNIT
01-1466-11	8" Toscana Two Handle Kitchen Sink Faucet	Box	12

PIANA



- Ceramic pad locking system for maximum durability with optimum performance
- Easy 1/4 turn locking
- Highly engineered resin body and handles - Highly engineered handles
- 360-degree rotatable spout
- Two hole installation
- Built-in aerator for low water consumption
- Chrome-plated for wear and corrosion resistance
- Connection: 1/2" NPSM male
- Average consumption: 1.3 GPM (5.2 L/min) at 80 psi - Average flow rate
- Meets ASME A112.18.1/CSA B125.1
- Working temperature: 41-160 °F (5 - 71.1 °C)
- Maximum static working pressure: 860 kPa (125 psi)

SKU	DESCRIPTION	PRESENTATION	PACKING UNIT
01-1528-11	8" Piana Two Handle Kitchen Sink Faucet	Box	12

HELIX PALA



- Ceramic pad locking system for maximum durability with optimum performance
- Easy 1/4 turn locking
- Highly engineered resin body and handles - Highly engineered handles
- 360° swivel arm
- Two hole installation
- Built-in aerator for low water consumption
- Chrome-plated for wear and corrosion resistance - Chrome-corrosion resistance
- Connection: 1/2" NPSM male threads - Chrome-plated for low
- Average consumption: 1.3 GPM (5.2 L/min) at 80 psi - Average flow rate
- Standards compliance: NTC 1644
- Working temperature: 41-160 °F (5 - 71.1 °C)
- Maximum static working pressure: 860 kPa (125 psi) - Maximum pressure: 860 kPa (125 psi)

SKU	DESCRIPTION	PRESENTATION	PACKING UNIT
01-1728-11	Dishwasher mixer 8" Helix Pala	Box	12

TEDESCA



- Ceramic pad locking system for maximum durability with optimum performance
- Easy 1/4 turn locking
- Highly engineered resin body and handles - Highly engineered handles
- 360° swivel arm
- Two hole installation
- Built-in aerator for low water consumption
- Chrome-plated for wear and corrosion resistance - Chrome-corrosion resistance
- Connection: 1/2" NPSM male threads - Chrome-plated for low
- Average consumption: 1.3 GPM (5.2 L/min) at 80 psi - Average flow rate
- Standards compliance: NTC 1644
- Working temperature: 41-160 °F (5 - 71.1 °C)
- Maximum static working pressure: 860 kPa (125 psi) - Maximum pressure: 860 kPa (125 psi)

SKU	DESCRIPTION	PRESENTATION	PACKING UNIT
01-1828-11	Dishwasher mixer 8" Tedesca	Box	12

**8" TWO HANDLE KITCHEN SINK FAUCET**



**PRISTINA**

- Ceramic pad sealing system for maximum durability with optimum performance
- Easy 1/4 turn locking
- Highly engineered resin body and metal handles
- 360° swivel arm
- Two-hole installation
- Built-in aerator for low water consumption
- Wear and corrosion resistant chrome plating
- Connection: 1/2" male thread NPSM
- Average consumption: 1.3 GPM (5.2 L/min) at 80 psi
- Standards compliance: NTC 1644
- Working temperature: 41-160 °F (5 - 71.1 °C)
- Maximum static working pressure: 860 kPa (125 psi) - Maximum pressure: 860 kPa (125 psi)

SKU	DESCRIPTION	PRESENTATION	PACKING UNIT
01-2828-11	Dishwasher mixer 8" Pristina	Box	12



**PRISTINA**

- Ceramic pad locking system for maximum durability with optimum performance
- Easy 1/4 turn locking
- Metal body and handles
- 360° rotating arm
- Two hole installation
- Built-in aerator for low water consumption
- Chrome-plated for wear and corrosion resistance - Chrome-corrosion resistance
- Connection: 1/2" NPT male thread - Built-in aerator for low Chrome plated for low water consumption
- Average consumption: 1.3 GPM (5.2 L/min) at 80 psi - Average consum
- Standards compliance: NTC 1644
- Working temperature: 41-160 °F (5 - 71.1 °C)
- Maximum static working pressure: 860 kPa (125 psi) - Maximum pressure: 860 kPa (125 psi)

SKU	DESCRIPTION	PRESENTATION	PACKING UNIT
01-2841-11	Table mixer 8" exposed body Pristina	Box	12

**WALL MOUNTED MIXER 8" FAUCET**



**CALIMA**

- Ceramic pad locking system for maximum durability with optimum performance
- Easy 1/4 turn locking
- Metal body, arm and handles
- 360° rotating arm
- Two-hole installation
- Built-in aerator for low water consumption
- Chrome-plated for wear and corrosion resistance - Chrome-corrosion resistance
- Connection: 1/2" NPT male thread - Built-in aerator for low Average consumption: 1.3 GPM (5.2 L/min) at 80 psi - Average consum
- Standards compliance: NTC 1644
- Working temperature: 41-160 °F (5 - 71.1 °C)
- Maximum static working pressure: 860 kPa (125 psi) - Maximum pressure: 860 kPa (125 psi)

SKU	DESCRIPTION	PRESENTATION	PACKING UNIT
01-0832-11	Wall mounted mixer 8" exposed body Calima	Box	12



**PRISTINA**

- Ceramic pad locking system for maximum durability with optimum performance
- Easy 1/4 turn locking
- Metal body and handles
- 360° rotating arm
- Two-hole installation
- Built-in aerator for low water consumption
- Chrome-plated for wear and corrosion resistance - Chrome-corrosion resistance
- Connection: 1/2" NPT male thread - Built-in aerator for low Average consumption: 1.3 GPM (5.2 L/min) - Average consum
- Standards compliance: NTC 1644
- Working temperature: 41-160 °F (5 - 71.1 °C)
- Maximum static working pressure: 860 kPa (125 psi) - Maximum pressure: 860 kPa (125 psi)

SKU	DESCRIPTION	PRESENTATION	PACKING UNIT
01-2832-11	Wall mounted mixer 8" exposed body Pristina	Box	12

**MOBILE TABLE FAUCET**



**CALIMA**

- Ceramic pad locking system for maximum durability with optimum performance
- Easy 1/4 turn locking
- Metal body, arm and handles
- Single hole installation
- 360° rotating arm
- Built-in aerator for low water consumption
- Single water inlet
- Chrome-plated for wear and corrosion resistance - Built-in a consumption
- Connection: 1/2" male thread NPSM
- Average consumption: 1.3 GPM (5.2 L/min) at 80 psi - Average flow rat
- Standards compliance: NTC 1644
- Working temperature: 41-160 °F (5 - 71.1 °C)
- Maximum static working pressure: 860 kPa (125 psi) - Maximum pressure: 860 kPa (125 psi)

SKU	DESCRIPTION	PRESENTATION	PACKING UNIT
01-0837-11	Calima mobile table faucet	Box	12

MOBILE TABLE FAUCET



HELVETIA

- Ceramic pad locking system for maximum durability with optimum performance
- Easy 1/4 turn locking
- Highly engineered resin body and handles - Highly engineered handles
- Single hole installation
- 360° rotating arm
- Built-in aerator for low water consumption
- Single water inlet
- Chrome-plated for wear and corrosion resistance - Built-in a consumption
- Connection: 1/2" male thread NPSM
- Average consumption: 1.3 GPM (5.2 L/min) at 80 psi - Average flow rate
- Standards compliance: NTC 1644
- Working temperature: 41-160 °F (5 - 71.1 °C)
- Maximum static working pressure: 860 kPa (125 psi) - Maximum pressure: 860 kPa (125 psi)

SKU	DESCRIPTION	PRESENTATION	PACKING UNIT
01-0943-11	Helvetia mobile table faucet	Box	12



KRISTHAL

- Ceramic pad locking system for maximum durability with optimum performance
- Easy 1/4 turn locking
- Highly engineered resin body and acrylic resin handles
- Single hole installation
- 360° rotating arm
- Built-in aerator for low water consumption
- Single water inlet
- Chrome-plated for wear and corrosion resistance - Built-in a consumption
- Connection: 1/2" male thread NPSM
- Average consumption: 1.3 GPM (5.2 L/min) at 80 psi - Average flow rate
- Standards compliance: NTC 1644
- Working temperature: 41-160 °F (5 - 71.1 °C)
- Maximum static working pressure: 860 kPa (125 psi) - Maximum pressure: 860 kPa (125 psi)

SKU	DESCRIPTION	PRESENTATION	PACKING UNIT
01-1174-00	Kristhal mobile table faucet	Box	24



ATLANTICO

- Ceramic pad locking system for maximum durability with optimum performance
- Easy 1/4 turn locking
- Highly engineered resin body and handles - Highly engineered handles
- Single hole installation
- 360° rotating arm
- Built-in aerator for low water consumption
- Single water inlet
- Chrome-plated for wear and corrosion resistance - Built-in a consumption
- Connection: 1/2" male thread NPSM
- Average consumption: 1.3 GPM (5.2 L/min) at 80 psi - Average flow rate
- Standards compliance: NTC 1644
- Working temperature: 41-160 °F (5 - 71.1 °C)
- Maximum static working pressure: 860 kPa (125 psi) - Maximum pressure: 860 kPa (125 psi)

SKU	DESCRIPTION	PRESENTATION	PACKING UNIT
01-1360-11	Atlantico mobile table faucet	Box	24



TOSCANA

- Ceramic pad locking system for maximum durability with optimum performance
- Easy 1/4 turn locking
- Highly engineered resin body and handles - Highly engineered handles
- Single hole installation
- 360° rotating arm
- Built-in aerator for low water consumption
- Single water inlet
- 360° rotatable water outlet to control the angle of water outlet
- Wear and corrosion resistant chrome plating - Corrosion resistant
- Connection: male thread 1/2" NPSM
- Average consumption: 1.3 GPM (5.2 L/min) at 80 psi - Average flow rate
- Standards compliance: NTC 1644
- Working temperature: 41-160 °F (5 - 71.1 °C)
- Maximum static working pressure: 860 kPa (125 psi) - Maximum pressure: 860 kPa (125 psi)

SKU	DESCRIPTION	PRESENTATION	PACKING UNIT
01-1450-11	Toscana mobile table faucet	Box	12



PIANA

- Ceramic pad locking system for maximum durability with optimum performance
- Easy 1/4 turn locking
- Highly engineered resin body and handles - Highly engineered handles
- Single hole installation
- 360° rotating arm
- Built-in aerator for low water consumption
- Single water inlet
- Chrome-plated for wear and corrosion resistance - Built-in a consumption
- Connection: 1/2" male thread NPSM
- Average consumption: 1.3 GPM (5.2 L/min) at 80 psi - Average flow rate
- Standards compliance: NTC 1644
- Working temperature: 41-160 °F (5 - 71.1 °C)
- Maximum static working pressure: 860 kPa (125 psi) - Maximum pressure: 860 kPa (125 psi)

SKU	DESCRIPTION	PRESENTATION	PACKING UNIT
01-1550-11	Piana mobile table faucet	Box	24

MOBILE TABLE FAUCET



HELIX PALA

- Ceramic pad locking system for maximum durability with optimum performance
- Easy 1/4 turn locking
- Highly engineered resin body and handles - Highly engineered handles
- Single hole installation
- 360° rotating arm
- Built-in aerator for low water consumption
- Single water inlet
- Chrome-plated for wear and corrosion resistance - Built-in a consumption
- Connection: 1/2" male thread NPSM
- Average consumption: 1.3 GPM (5.2 L/min) at 80 psi - Average flow rate
- Standards compliance: NTC 1644
- Working temperature: 41-160 °F (5 - 71.1 °C)
- Maximum static working pressure: 860 kPa (125 psi) - Maximum pressure: 860 kPa (125 psi)

SKU	DESCRIPTION	PRESENTATION	PACKING UNIT
01-1750-11	Helix Pala mobile table faucet	Box	24



TEDESCA

- Ceramic pad locking system for maximum durability with optimum performance
- Easy 1/4 turn locking
- Highly engineered resin body and handles - Highly engineered handles
- Single hole installation
- 360° rotating arm
- Built-in aerator for low water consumption
- Single water inlet
- Chrome-plated for wear and corrosion resistance - Built-in a consumption
- Connection: 1/2" male thread NPSM
- Average consumption: 1.3 GPM (5.2 L/min) at 80 psi - Average flow rate
- Standards compliance: NTC 1644
- Working temperature: 41-160 °F (5 - 71.1 °C)
- Maximum static working pressure: 860 kPa (125 psi) - Maximum pressure 860 kPa (125 psi)

SKU	DESCRIPTION	PRESENTATION	PACKING UNIT
01-1850-11	Tedesca mobile table faucet	Box	12



PRISTINA

- Ceramic pad locking system for maximum durability with optimum performance
- Easy 1/4 turn locking
- Metal body and handles
- Single hole installation
- 360° rotating arm
- Built-in aerator for low water consumption
- Single water inlet
- Chrome-plated for wear and corrosion resistance - Built-in a consumption
- Connection: 1/2" male thread NPSM
- Average consumption: 1.3 GPM (5.2 L/min) at 80 psi - Average flow rate
- Standards compliance: NTC 1644
- Working temperature: 41-160 °F (5 - 71.1 °C)
- Maximum static working pressure: 860 kPa (125 psi) - Maximum pressure: 860 kPa (125 psi)

SKU	DESCRIPTION	PRESENTATION	PACKING UNIT
01-2837-11	Pristina mobile table faucet	Box	12

MOBILE WALL FAUCET



CALIMA

- Ceramic pad locking system for maximum durability with optimum performance
- Easy 1/4 turn locking
- Metal body, arm and handles
- Single hole installation
- 360° rotating arm
- Built-in aerator for low water consumption
- Single water inlet
- Chrome-plated for wear and corrosion resistance - Built-in a consumption
- Connection: 1/2" NPT female thread - Single water inlet
- Average consumption: 1.3 GPM (5.2 L/min) at 80 psi - Average consumption
- Standards compliance: NTC 1644
- Working temperature: 41-160 °F (5 - 71.1 °C)
- Maximum static working pressure: 860 kPa (125 psi) - Maximum pressure: 860 kPa (125 psi)

SKU	DESCRIPTION	PRESENTATION	PACKING UNIT
01-0834-11	C Calima movable wall faucet	Box	12



CALIMA

- Ceramic pad locking system for maximum durability with optimum performance
- Easy 1/4 turn locking
- Metal body, arm and handles
- Single hole installation
- 360° rotating arm
- Built-in aerator for low water consumption
- Single water inlet
- Chrome-plated for wear and corrosion resistance - Built-in a consumption
- Connection: 1/2" NPT female thread - Single water inlet
- Average consumption: 1.3 GPM (5.2 L/min) at 80 psi - Average consumption
- Standards compliance: NTC 1644
- Working temperature: 41-160 °F (5 - 71.1 °C)
- Maximum static working pressure: 860 kPa (125 psi) - Maximum pressure: 860 kPa (125 psi)

SKU	DESCRIPTION	PRESENTATION	PACKING UNIT
01-0835-11	S Calima mobile wall faucet	Box	24



MOBILE WALL FAUCET



HELVETIA

- Ceramic pad locking system for maximum durability with optimum performance
- Easy 1/4 turn locking
- Highly engineered resin body and handles - Highly engineered handles
- Single hole installation
- 360° rotating arm
- Built-in aerator for low water consumption
- Single water inlet
- Chrome-plated for wear and corrosion resistance - Built-in a consumption
- Connection: 1/2" NPT female thread - Single water inlet
- Average consumption: 1.3 GPM (5.2 L/min) at 80 psi - Average consumption
- Standards compliance: NTC 1644
- Working temperature: 41-160 °F (5 - 71.1 °C)
- Maximum static working pressure: 860 kPa (125 psi) - Maximum pressure: 860 kPa (125 psi)

SKU	DESCRIPTION	PRESENTATION	PACKING UNIT
01-0944-11	C Helvetia mobile wall faucet	Box	12



HELVETIA

- Ceramic pad locking system for maximum durability with optimum performance
- Easy 1/4 turn locking
- Highly engineered resin body and handles - Highly engineered handles
- Single hole installation
- 360° rotating arm
- Built-in aerator for low water consumption
- Single water inlet
- Chrome-plated for wear and corrosion resistance - Built-in a consumption
- Connection: 1/2" NPT female thread - Single water inlet
- Average consumption: 1.3 GPM (5.2 L/min) at 80 psi
- Standards compliance: NTC 1644
- Working temperature: 41-160 °F (5 - 71.1 °C)
- Maximum static working pressure: 860 kPa (125 psi) - Maximum pressure: 860 kPa (125 psi)

SKU	DESCRIPTION	PRESENTATION	PACKING UNIT
01-0971-11	S Helvetia mobile wall faucet	Box	24



ATLANTICO

- Ceramic pad locking system for maximum durability with optimum performance
- Easy 1/4 turn locking
- Highly engineered resin body and handles - Highly engineered handles
- Single hole installation
- 360° rotating arm
- Built-in aerator for low water consumption
- Single water inlet
- Chrome-plated for wear and corrosion resistance - Built-in a consumption
- Connection: 1/2" NPT female thread - Single water inlet
- Average consumption: 1.3 GPM (5.2 L/min) at 80 psi
- Standards compliance: NTC 1644
- Working temperature: 41-160 °F (5 - 71.1 °C)
- Maximum static working pressure: 860 kPa (125 psi) - Maximum pressure: 860 kPa (125 psi)

SKU	DESCRIPTION	PRESENTATION	PACKING UNIT
01-1353-11	C Atlántico mobile wall faucet	Box	24



TOSCANA

- Ceramic pad locking system for maximum durability with optimum performance
- Easy 1/4 turn locking
- Highly engineered resin body and handles Single hole installation
- 360° swivel arm
- Built-in aerator for low water consumption Single water inlet
- 360° rotatable water outlet to control the angle of water out
- Wear and corrosion resistant chrome plating
- Connection: 1/2" NPT female thread
- Average consumption: 1.3 GPM (5.2 L/min) at 80 psi
- Compliance with standards: NTC 1644
- Working temperature: 41-160 °F (5 - 71.1 °C)
- Maximum static working pressure: 860 kPa (125 psi)

SKU	DESCRIPTION	PRESENTATION	PACKING UNIT
01-1458-11	S Toscana mobile wall faucet	Box	24



PIANA

- Ceramic pad locking system for maximum durability with optimum performance
- Easy 1/4 turn locking
- Highly engineered resin body and handles - Highly engineered handles
- Single hole installation
- 360° rotating arm
- Built-in aerator for low water consumption
- Single water inlet
- Chrome-plated for wear and corrosion resistance - Built-in a consumption
- Connection: 1/2" NPT female thread - Single water inlet
- Average consumption: 1.3 GPM (5.2 L/min) at 80 psi
- Standards compliance: NTC 1644
- Working temperature: 41-160 °F (5 - 71.1 °C)
- Maximum static working pressure: 860 kPa (125 psi) - Maximum pressure: 860 kPa (125 psi)

SKU	DESCRIPTION	PRESENTATION	PACKING UNIT
01-1553-11	C Piana mobile wall faucet	Box	24

MOBILE WALL FAUCET



PIANA

- Ceramic pad locking system for maximum durability with optimum performance
- Easy 1/4 turn locking
- Highly engineered resin body and handles - Highly engineered handles
- Single hole installation
- 360° rotating arm
- Built-in aerator for low water consumption
- Single water inlet
- Chrome-plated for wear and corrosion resistance - Built-in a consumption
- Connection: 1/2" NPT female thread - Single water inlet
- Average consumption: 1.3 GPM (5.2 L/min) at 80 psi
- Standards compliance: NTC 1644
- Working temperature: 41-160 °F (5 - 71.1 °C)
- Maximum static working pressure: 860 kPa (125 psi) - Maximum pressure: 860 kPa (125 psi)

SKU	DESCRIPTION	PRESENTATION	PACKING UNIT
01-1558-11	S Piana mobile wall faucet	Box	24



HELIX PALA

- Ceramic pad locking system for maximum durability with optimum performance
- Easy 1/4 turn locking
- Highly engineered resin body and handles - Highly engineered handles
- Single hole installation
- 360° rotating arm
- Built-in aerator for low water consumption
- Single water inlet
- Chrome-plated for wear and corrosion resistance - Built-in a consumption
- Connection: 1/2" NPT female thread - Single water inlet
- Average consumption: 1.3 GPM (5.2 L/min) at 80 psi
- Standards compliance: NTC 1644
- Working temperature: 41-160 °F (5 - 71.1 °C)
- Maximum static working pressure: 860 kPa (125 psi) - Maximum pressure: 860 kPa (125 psi)

SKU	DESCRIPTION	PRESENTATION	PACKING UNIT
01-1753-11	C Helix Pala mobile wall faucet	Box	24



HELIX PALA

- Ceramic pad locking system for maximum durability with optimum performance
- Easy 1/4 turn locking
- Highly engineered resin body and handles - Highly engineered handles
- Single hole installation
- 360° rotating arm
- Built-in aerator for low water consumption
- Single water inlet
- Chrome-plated for wear and corrosion resistance - Built-in a consumption
- Connection: 1/2" NPT female thread - Single water inlet
- Average consumption: 1.3 GPM (5.2 L/min) at 80 psi
- Standards compliance: NTC 1644
- Working temperature: 41-160 °F (5 - 71.1 °C)
- Maximum static working pressure: 860 kPa (125 psi) - Maximum pressure: 860 kPa (125 psi)

SKU	DESCRIPTION	PRESENTATION	PACKING UNIT
01-1758-11	S Helix Pala mobile wall faucet	Box	24



PRISTINA

- Ceramic pad locking system for maximum durability with optimum performance
- Easy 1/4 turn locking
- Metal body and handles
- Single hole installation
- 360° rotating arm
- Built-in aerator for low water consumption
- Single water inlet
- Chrome-plated for wear and corrosion resistance - Built-in a consumption
- Connection: 1/2" NPT female thread - Single water inlet
- Average consumption: 1.3 GPM (5.2 L/min) at 80 psi
- Standards compliance: NTC 1644
- Working temperature: 41-160 °F (5 - 71.1 °C)
- Maximum static working pressure: 860 kPa (125 psi) - Maximum pressure: 860 kPa (125 psi)

SKU	DESCRIPTION	PRESENTATION	PACKING UNIT
01-2863-11	S Pristina mobile wall faucet	Box	24



PRISTINA

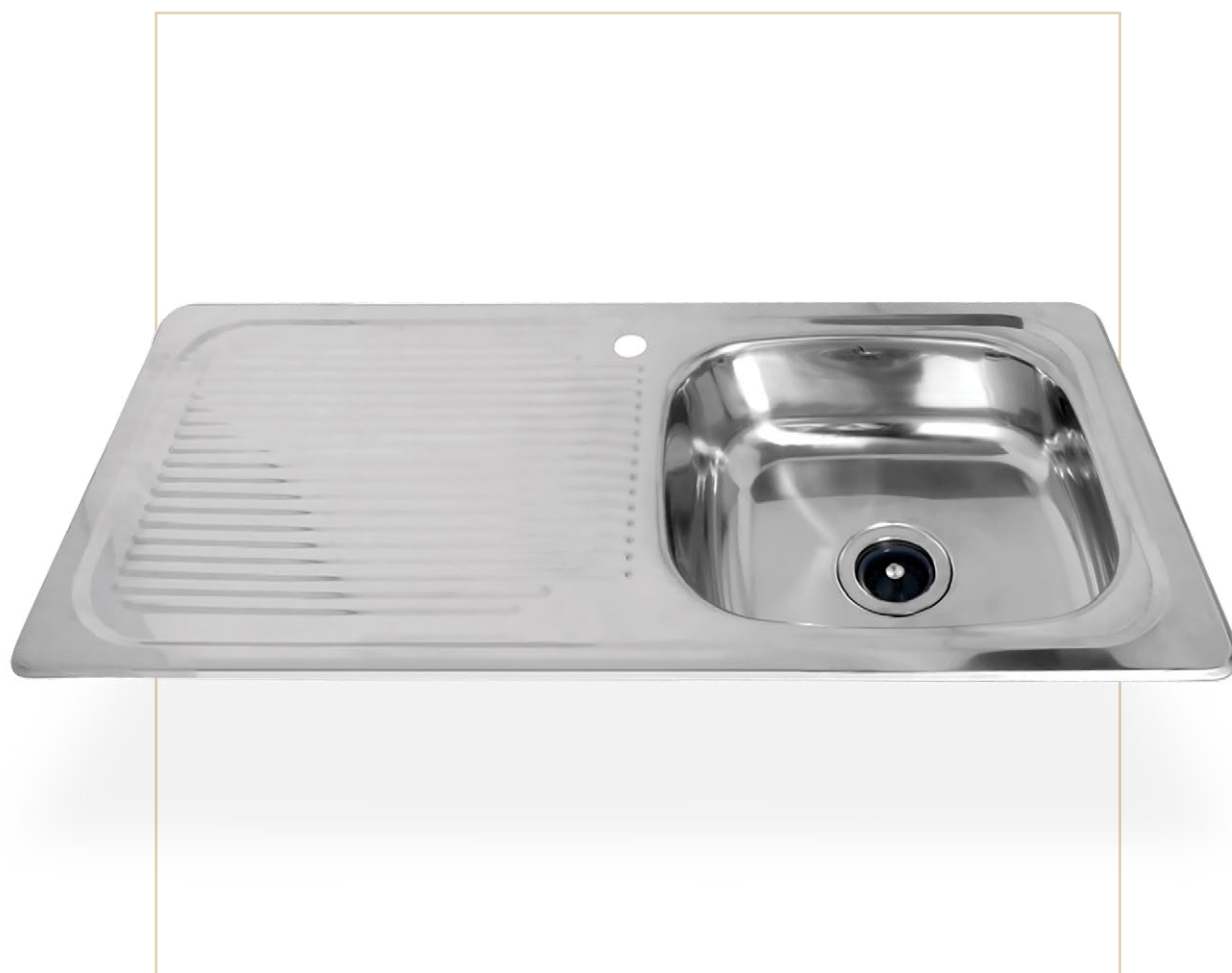
- Ceramic pad locking system for maximum durability with optimum performance
- Easy 1/4 turn locking
- Metal body and handles
- Single hole installation
- 360° rotating arm
- Built-in aerator for low water consumption
- Single water inlet
- Chrome-plated for wear and corrosion resistance - Built-in a consumption
- Connection: 1/2" NPT female thread - Single water inlet
- Average consumption: 1.3 GPM (5.2 L/min) at 80 psi - Average consumption
- Standards compliance: NTC 1644
- Working temperature: 41-160 °F (5 - 71.1 °C)
- Maximum static working pressure: 860 kPa (125 psi) - Maximum pressure: 860 kPa (125 psi)

SKU	DESCRIPTION	PRESENTATION	PACKING UNIT
01-2864-11	C Pristina mobile wall faucet	Box	12



GRICOL

DESDE 1962



**KITCHEN SINK**

RECESSED KITCHEN SINK

KIT ROUND KITCHEN SINK 16.9" (43CM)



- Material: 430 stainless steel
- Gauge 22
- Finish: bright brushed
- Recessed installation
- Dimensions: 16.9" (43 cm) diameter
- Depth: 7" (18 cm)
- Includes: white P-trap, ref: 01-1941-15, regulation key, ref: 01-3201-15, 4" strainer basket, ref: 01-1951-211, and connector, ref: 01-1920-00.
- For installation with table or wall-mounted single-lever faucets
- Slope in the sink to prevent water accumulation
- Corrosion-resistant finish
- Installation: attachment with hooks
- Drill the countertop based on the internal measurements of the sink

SKU	DESCRIPTION	PRESENTATION	PACKING UNIT
01-3170-611	Round stainless steel recessed Kitchen Sink 16.9" (43 cm) in diameter with accessories	Box	1

KIT STAINLESS STEEL KITCHEN SINK 24.41" X 18.9" (62 X 48 cm)



- Material: 430 stainless steel
- Gauge 22
- Finish: bright brushed
- Recessed installation
- Dimensions: 24.41" X 18.9" (62 X 48 cm)
- Depth: 6.3" (16 cm)
- Includes: white P-trap ref: 01-1941-15, 4" strainer baskets ref: 01-1951-211, connector ref: 01-1920-00
- Slope in the sink to prevent water accumulation
- Corrosion-resistant finish
- Installation: attachment with hooks
- Drill the countertop based on the internal measurements of the sink
- PE-3037-11 includes two handle kitchen sink faucet ref: 01-1728-11
- PE-3038-211 includes mobile Faucet ref: 01-1750-11

SKU	DESCRIPTION	PRESENTATION	PACKING UNIT
01-3005-11	Kitchen sink for 8" two-handle faucet without complements	Box	10
01-3006-11	Kitchen sink for mobile faucet without complements	Box	10
L1-3005-11	Kitchen sink for 8" two-handle faucet with complements	Box	10
L1-3006-11	Kitchen sink for mobile faucet with complements	Box	10
PE-3037-11	Combo kitchen sink with 8" two-handle faucet Helix Pala	Box	10
PE-3038-211	Combo kitchen sink with Mobile Faucet Helix Pala	Box	10

KIT STAINLESS STEEL KITCHEN SINK 23.6" X 15.7" (60 X 40 cm)



- Material: 430 stainless steel
- Gauge 22
- Finish: bright brushed
- Recessed installation
- Dimensions: 23.6" X 15.7" (60 X 40 cm)
- Depth: 6.3" (16 cm)
- Includes: white P-trap ref: 01-1941-15, 4" strainer baskets ref: 01-1951-211
- To install with table or wall-mounted faucets
- Slope in the sink to prevent water accumulation
- Corrosion-resistant finish
- Installation: attachment with hooks
- Drill the countertop based on the internal measurements of the sink
- PE-3040-411 includes Extension Faucet ref: 01-2992-11

SKU	DESCRIPTION	PRESENTATION	PACKING UNIT
01-3008-11	Steel Recessed Kitchen Sink 23.6" x 15.7" (60 x 40 cm) without accessories	Box	10
L1-3008-11	Steel Recessed Kitchen Sink 23.6" x 15.7" (60 x 40 cm) with accessories	Box	10
PE-3040-411	Steel Recessed Kitchen Sink with hose extension faucet Helix Pala	Box	10

KIT STAINLESS STEEL KITCHEN SINK 20.8" X 16.9" (53 x 43 cm)



- Material: 430 stainless steel
- Gauge 22
- Finish: bright brushed
- Recessed installation
- Dimensions: 20.8" X 16.9" (53 x 43 cm)
- Depth: 7" (18 cm)
- Includes: white P-trap ref: 01-1941-15, 4" strainer baskets ref: 01-1951-211, connector ref: 01-1920-00
- To install with single water inlet faucets
- Slope in the sink to prevent water accumulation
- Corrosion-resistant finish
- Installation: attachment with hooks
- Drill the countertop based on the internal measurements of the sink
- PE-3066-11 includes two-handle faucet 4" ref: 01-1808-11
- PE-3062-211 includes mobile Faucet ref: 01-1750-11

SKU	DESCRIPTION	PRESENTATION	PACKING UNIT
01-3091-11	Stainless steel Recessed Kitchen Sink, 20.8" X 16.9" (53 x 43 cm) for swivel faucet without accessories	Box	10
L1-3043-11	Stainless steel Recessed Kitchen Sink, 20.8" X 16.9" (53 x 43 cm) for swivel faucet with accessories	Box	10
PE-3066-11	Kitchen sink with 4" two-handle faucet Helix Pala	Box	10
PE-3062-211	Kitchen sink with Mobile table Faucet Helix Pala	Box	10

RECESSED KITCHEN SINK

STAINLESS STEEL KITCHEN SINK 33" X 22" (84 X 56 CM) DOUBLE BOWL



- Material: 304 stainless steel
- Gauge 20
- Finish: bright brushed
- Recessed installation
- Dimensions: 33" X 22" (84 X 56 CM)
- Depth: 7" (18 cm)
- Slope in the bowls to prevent water accumulation
- Corrosion-resistant finish
- Includes: white P-trap ref: 01-1941-15, regulation key ref: 01-3201-15, 4" strainer basket ref: 01-1951-211, connector ref: 01-1920-00, and T-connection ref: 01-1945-15
- Installation: attachment with hooks
- Drill the countertop based on the internal measurements of the sink
- 01-3136-211 includes Mixer ref: 01-1828-11
- 01-3157-211 includes Single-lever Faucet ref: 01-2615-11

SKU	DESCRIPTION	PRESENTATION	PACKING UNIT
M1-3002-11	Stainless steel Recessed Kitchen Sink 33" X 22" (84 X 56 cm) double Bowl for two-handle faucet 8" with accessories	Box	5
01-3136-211	Double bowl kitchen sink, with two-handle faucet 8" Tedesca	Box	5
M1-3063-11	Double bowl kitchen sink, mobile faucet with accessories	Box	5
01-3157-211	Double bowl kitchen sink with Sion single faucet	Box	5

STAINLESS STEEL KITCHEN SINK 37" X 18.9" (94 x 48 cm)



- Material: 430 stainless steel
- Gauge 22
- Finish: bright brushed
- Recessed installation
- Dimensions: 37" X 18.9" (94 x 48 cm)
- Depth: 6" (16 cm)
- Includes: white P-trap ref: 01-1941-15, 4" strainer basket ref: 01-1951-211, and connector ref: 01-1920-00
- Corrosion-resistant finish
- For installation with single-handle or single water inlet faucets
- Slope in the draining board and bowl to prevent water accumulation
- Fixation with anti-fungal silicone
- Drill the countertop based on the internal measurements of the sink
- PE-3034-411 and PE-3035-411 include Table mobile Faucet ref: 01-1750-11

SKU	DESCRIPTION	PRESENTATION	PACKING UNIT
01-3003-11	Kitchen sink, right bowl, without accessories	Box	10
01-3004-11	Kitchen sink, left bowl, without accessories	Box	10
M1-3003-11	Kitchen sink, right bowl, with accessories	Box	10
M1-3004-11	Kitchen sink, left bowl, with accessories	Box	10
PE-3034-411	Kitchen sink, right bowl, with mobile faucet Helix Pala	Box	10
PE-3035-411	Kitchen sink, left bowl, with mobile faucet Helix Pala	Box	10

OVERLAY KITCHEN SINK

STAINLESS STEEL KITCHEN SINK 47" X 19.6" (120 x 50 cm)



- Material: 304 stainless steel
- Gauge 20
- Finish: bright brushed
- Installation: overlay
- Dimensions: 48.2" x 20.8" (122.5 x 53 cm)
- Depth: 7.8" (20 cm)
- Includes: swivel faucet ref: 01-1731-11, white P-trap ref: 01-1941-15, 4" strainer basket ref: 01-1951-211, and connector ref: 01-1920-00
- For installation with single-handle or single water inlet faucets
- Slope in the bowl to prevent water accumulation
- Corrosion-resistant finish
- Drill the countertop based on the internal measurements of the sink
- C1-3095-211 and C1-3096-211 include mobile Faucet ref: 01-1750-11

SKU	DESCRIPTION	PRESENTATION	PACKING UNIT
L1-3079-11	Kitchen sink, 47" X 19.6" (120 x 50 cm), right bowl, for mobile faucet	Box	3
L1-3080-11	Kitchen sink, 47" X 19.6" (120 x 50 cm), left bowl, for mobile faucet	Box	3
C1-3095-211	Kitchen sink, right bowl, with mobile faucet Helix Pala	Box	3
C1-3096-211	Kitchen sink, left bowl, with mobile faucet Helix Pala	Box	3

OVERLAY KITCHEN SINK

STAINLESS STEEL KITCHEN SINK 39.3" x 19.6" (100 x 50 cm)



- Material: 430 stainless steel
- Gauge 22
- Finish: bright brushed
- Installation: overlay
- Dimensions: 39.3" x 19.6" (100 x 50 cm)
- Depth: 6" (16 cm)
- Includes: white P-trap ref: 01-1941-15, 4" strainer basket ref: 01-1951-211, and 2 connectors ref: 01-1920-00
- For installation with 8" faucets
- Slope in the draining board and bowl to prevent water accumulation
- Corrosion-resistant finish
- Fixation with anti-fungal silicone
- Drill the countertop based on the internal measurements of the sink
- PE-3030-111 and PE-3031-111 include two-handle faucet ref: 01-1728-11

SKU	DESCRIPTION	PRESENTATION	PACKING UNIT
01-3000-11	Kitchen sink, right bowl, without accessories	Box	10
M1-3000-111	Kitchen sink, right bowl, with accessories	Box	10
01-3001-11	Kitchen sink, left bowl, without accessories	Box	10
M1-3001-111	Kitchen sink, left bowl, with accessories	Box	10
PE-3030-111	Kitchen sink, right bowl, with 8" two-handle faucet Helix Pala	Box	10
PE-3031-111	Kitchen sink, left bowl, with 8" two-handle faucet Helix Pala	Box	10

UNDERMOUNT KITCHEN SINK

STAINLESS STEEL KITCHEN SINK 20.8" x 16.9" (53 x 43 cm)



- Material: Stainless steel 304
- Gauge 20
- Finish: matte frosted
- Undermount installation
- Dimensions: 20.8" x 16.9" (53 x 43 cm)
- Depth: 7" (18 cm)
- Includes: chrome-plated P-trap ref: 01-9997-11, 2 regulation keys ref: 01-3201-15, and 4" strainer basket ref: 01-1995-11
- For installation with table or wall-mounted single-handle faucets
- Slope in the bowl to prevent water accumulation
- Corrosion-resistant finish
- Installation: attachment with hooks
- Drill the countertop based on the internal measurements of the sink

SKU	DESCRIPTION	PRESENTATION	PACKING UNIT
01-3170-311	Undermount stainless steel kitchen sink 20.8" x 16.9" (53 x 43 cm) single bowl with accessories	Box	1

STAINLESS STEEL KITCHEN SINK 16.9" x 16.9" (43 x 43 cm)



- Material: Stainless steel 304
- Gauge 20
- Finish: matte frosted
- Undermount installation
- Dimensions: 16.9" x 16.9" (43 x 43 cm)
- Depth: 7" (18 cm)
- Includes: chrome-plated P-trap ref: 01-9997-11, 2 regulation keys ref: 01-3201-15, and 4" strainer basket ref: 01-1995-11
- For installation with table or wall-mounted single-handle faucets
- Slope in the bowl to prevent water accumulation
- Corrosion-resistant finish
- Installation: attachment with hooks
- Drill the countertop based on the internal measurements of the sink

SKU	DESCRIPTION	PRESENTATION	PACKING UNIT
01-3170-411	Undermount stainless steel kitchen sink 16.9" x 16.9" (43 x 43 cm) single bowl, with accessories	Box	1

STAINLESS STEEL KITCHEN SINK 16.9" x 14.5" (43 x 37 cm)



- Material: Stainless steel
- Finish: brushed satin
- Undermount installation
- Dimensions: 16.9" x 14.5" (43 x 37 cm)
- Depth: 6.5" (16.5 cm)
- Includes: white P-trap ref: 01-1941-15, 4" strainer basket ref: 01-1951-211
- For installation with table or wall-mounted single-handle faucets
- Slope in the bowl to prevent water accumulation
- Corrosion-resistant finish
- Installation: attachment with hooks
- Drill the countertop based on the internal measurements of the sink.

SKU	DESCRIPTION	PRESENTATION	PACKING UNIT
01-5301-20	Undermount stainless steel kitchen sink 16.9" x 14.5" (43 x 37 cm) with accessories	Box	1

**UNDERMOUNT KITCHEN SINK**

**STAINLESS STEEL KITCHEN SINK 22" x 15.7" (56 x 40 cm)**



- Material: Stainless steel
- Finish: satin brushed
- Installation: undermount
- Dimensions: 22" x 15.7" (56 x 40 cm)
- Depth: 7" (18 cm)
- Includes: white P-trap ref: 01-1941-15, 4" strainer basket ref: 01-1951-211
- For installation with single-handle or single water inlet faucets
- Slope in the bowl to prevent water accumulation
- Corrosion-resistant finish
- Installation: attachment with hooks
- Drill the countertop based on the internal measurements of the sink.

SKU	DESCRIPTION	PRESENTATION	PACKING UNIT
01-5302-20	Undermount stainless steel kitchen sink 22" x 15.7" (56 x 40 cm) with accessories	Box	1

**STAINLESS STEEL KITCHEN SINK 19.6" x 13.3" (50 x 34 cm)**



- Material: Stainless steel
- Finish: satin brushed
- Installation: undermount
- Dimensions: 19.6" x 13.3" (50 x 34 cm)
- Depth: 6.5" (16.5 cm)
- Includes: white P-trap ref: 01-1941-15, 4" strainer basket ref: 01-1951-211
- For installation with table or wall-mounted single-handle faucets
- Slope in the bowl to prevent water accumulation
- Corrosion-resistant finish
- Installation: attachment with hooks
- Drill the countertop based on the internal measurements of the sink.

SKU	DESCRIPTION	PRESENTATION	PACKING UNIT
01-5303-20	Undermount stainless steel kitchen sink 19.6" x 13.3" (50 x 34 cm) with accessories	Box	1

**STAINLESS STEEL KITCHEN SINK 31.5" x 19.6" (80 x 50 cm)**



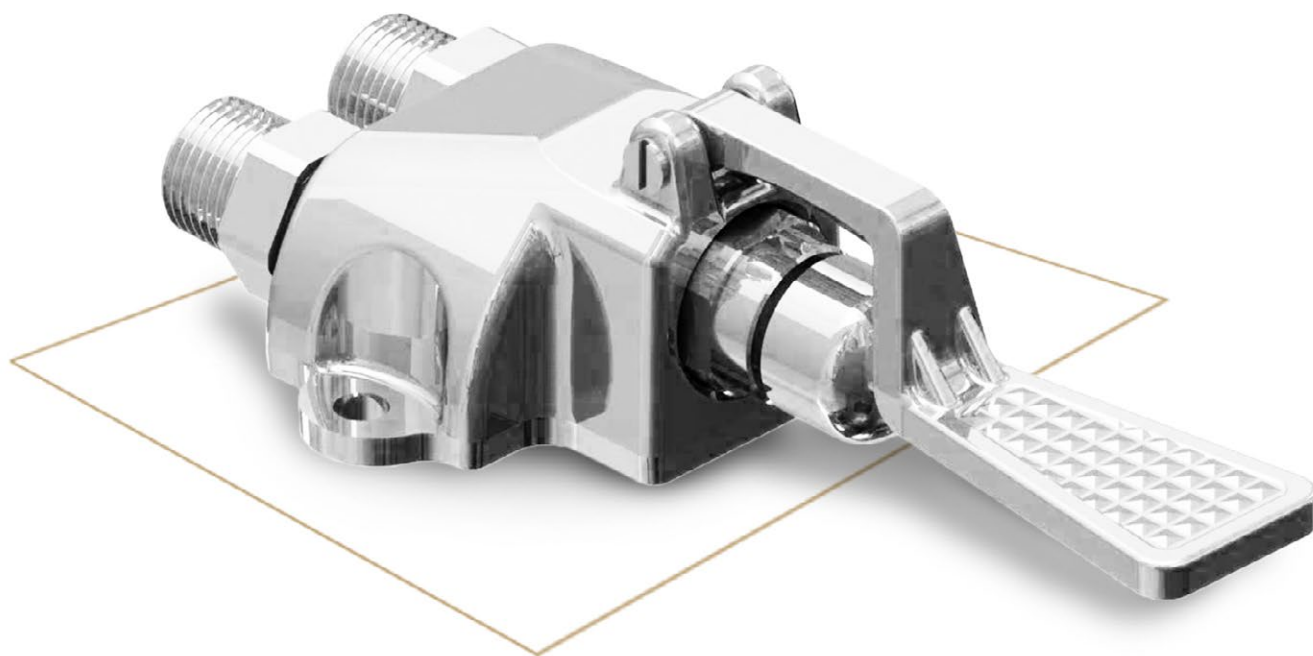
- Material: Stainless steel
- Finish: matte brushed
- Installation: undermount
- Dimensions: 31.5" x 19.6" (80 x 50 cm)
- Depth: 7.8" (20 cm)
- Includes: chrome-plated P-trap ref: 01-9997-11S, regulation key ref: 01-3201-15
- For installation with table or wall-mounted single-handle faucets
- Slope in the bowl to prevent water accumulation
- Corrosion-resistant finish
- Installation: attachment with hooks
- Drill the countertop based on the internal measurements of the sink.

SKU	DESCRIPTION	PRESENTATION	PACKING UNIT
01-3210-6L11	Undermount stainless steel kitchen sink, 31.5" x 19.6" (80 x 50 cm) right double bowl, with accessories	Box	1
01-3210-6R11	Undermount stainless steel kitchen sink, 31.5" x 19.6" (80 x 50 cm) left double bowl, with accessories	Box	1



GRICOL

DESDE 1962



**COMMERCIAL**



SHOWERS

PUSH SHOWER VALVE



- Metallic Body
- Single Water Inlet
- Actuation System: Push-Timed
- Wall-Mounted
- Vandal-Resistant
- Corrosion-Resistant Finish
- Includes Flow Calibration System
- Connections: 1/2" NPT Female Thread
- Maximum Static Working Pressure: 552 kPa (80 psi) of the sink

SKU	DESCRIPTION	PRESENTATION	PACKING UNIT
ID-PU01-211	Push Shower Valve	Box	12

TABLE FAUCET

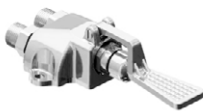
HAIR WASH MIXER



- Material: High-Engineering Resin
- Two Water Inlets
- Closure System: 1/4 Turn Ceramic
- Includes 5-Function Hand Shower and 150 cm Plastic Hose
- Corrosion-Resistant Finish
- Connection: Inlet: 1/2" NPS Male Thread
- Hose: 1/2" NPSM Female Thread
- Hand Shower: 1/2" NPSM Male Thread
- Compliance with Standards: NTC 1644
- Working Temperature: 41°F a 159.8°F (5°C to 71°C)
- Maximum Static Working Pressure: 860 kPa (125 psi)

SKU	DESCRIPTION	PRESENTATION	PACKING UNIT
01-1426-11	Toscana 8-Inch Hair Wash Mixer	Box	12

LUGANO PEDAL VALVE



- Metal Body and Pedal
- Chrome Finish
- Easy-to-Clean Surface
- Stainless Steel Spring
- Two Fixation Points for Secure Floor Attachment
- Non-Slip Surface Pedal
- Smooth and Comfortable Pedal Operation
- Designed for High-Traffic Environments
- Easy-to-Maintain Internal Mechanism
- Includes 2 Connectors with Metal Nuts (51.18" (130 cm) and 31" (80 cm) Connectors)

SKU	DESCRIPTION	PRESENTATION	PACKING UNIT
II-VP07-11	Lugano Pedal Valve	Box	12

PUMP PEDAL



- Materials: Polypropylene, Rubber, Brass, Stainless Steel.
- Easy operation with smooth foot pressure activation.
- Designed for installation in confined spaces on portable and/or stand-alone sinks that do not require a hydraulic point or water supply.
- Rubber diaphragm covering the stainless steel clamp facilitates easy cleaning and reduces dirt accumulation between parts.
- Ideal for high foot traffic areas, meeting biosecurity requirements.
- Inlet and outlet connections: Hose barb coupling for installation with hose and 1/2" clamp.
- Includes a 1/2" NPSM male thread coupling for installation with connector (Optional).

SKU	DESCRIPTION	PRESENTATION	PACKING UNIT
II-VP08-07	Pump Pedal	Box	12

SINK ARM



- Materials: Polypropylene, Rubber, Brass, Stainless Steel.
- Easy operation with smooth foot pressure activation.
- Designed for installation in confined spaces on portable and/or stand-alone sinks that do not require a hydraulic point or water supply.
- Rubber diaphragm covering the stainless steel clamp facilitates easy cleaning and reduces dirt accumulation between parts.
- Ideal for high foot traffic areas, meeting biosecurity requirements.
- Inlet and outlet connections: Hose barb coupling for installation with hose and 1/2" clamp.
- Includes a 1/2" NPSM male thread coupling for installation with connector (Optional).

SKU	DESCRIPTION	PRESENTATION	PACKING UNIT
II-BRO4-11	Fixed Metal Sink Arm	Box	12
II-BRO6-11	Adjustable Plastic Sink Arm	Box	24

TABLE FAUCET



KITCHEN SINK ARM

- Dimensions: 9.25" (23.5 cm) in height
- Compatible with pedal valves
- 360-degree swivel movable arm
- Built-in smart aerator for low water consumption
- Wear and corrosion-resistant finish
- Connection: 1/2" NPSM Male Threads
- Compliance with Standards: NTC 1644
- Working Temperature: 41°F a 159.8°F (5°C to 71°C)
- Minimum Static Working Pressure: 140 kPa (20 psi)
- Maximum Static Working Pressure: 860 kPa (125 psi)

SKU	DESCRIPTION	PRESENTATION	PACKING UNIT
II-BRO5-11	Adjustable Metal kitchen sink Arm	Box	12
II-BRO7-11	Adjustable Plastic kitchen sink Arm	Box	12

WALL-MOUNTED PUSH SINK VALVE SET



- Metallic Body
- Single Water Inlet
- Actuation System: Timed Push
- Wall-Mount Installation
- Vandal-Resistant
- Includes 8.46" (21.5 cm) long arm
- Water flows in a bubbly cascade through the built-in smart aerator
- Corrosion-Resistant Finish
- Includes flow calibration system
- Connections: 1/2" NPT Female Thread
- Operating Pressure: 20 - 80 psi

SKU	DESCRIPTION	PRESENTATION	PACKING UNIT
IL-PU04-211	Wall-Mounted Push Sink Valve Set	Box	12

TABLETOP PUSH SINK FAUCET



- Metal body and button
- Single water inlet
- Activation system: push button, timed
- Closing time: 6 - 10 seconds
- Vandal-resistant
- Corrosion-resistant finish
- Connection: 1/2" NPSM male thread
- Institutional use - potable water
- Consumption: 1.9 liters per minute at 43.5 psi
- EDGE consumption compliance



SKU	DESCRIPTION	PRESENTATION	PACKING UNIT
IL-PU05-11BC	Evora Traditional Low-flow Push Sink Faucet	Box	24

TABLETOP PUSH TUBULAR FAUCET FOR SINK



- Metal body and button
- Single water inlet
- Push-timed activation system
- Closing time: 6 - 10 seconds
- Vandal-resistant
- Corrosion-resistant finish
- Connection: 1/2" NPSM male thread
- Minimum working static pressure: 20 psi
- Maximum working pressure: 80 psi
- Institutional use - potable water
- Consumption: 1.9 l/min at 43.5 psi
- Compliance with EDGE consumption regulations



SKU	DESCRIPTION	PRESENTATION	PACKING UNIT
IL-PU06-11BC	Lugo Low-Flow Push Tubular Sink Faucet	Box	24

CONNECTIONS

BACK CONNECTION FOR TOILET



- For back connection toilets
- PVC connection pipe for easy installation with pipe welding
- Highly engineered resin external parts for greater impact resistance than metal connections
- Separate parts allow for adjustments during installation
- Wear and corrosion resistant chrome plating
- Connection: male 1 1/2"
- Minimum working static pressure: 140 kPa (20 psi)
- Maximum static working pressure: 552 kPa (80 psi)

SKU	DESCRIPTION	PRESENTATION	PACKING UNIT
IS-CO01-211	Back connection for Toilet	Bag	20

CONNECTIONS



TOP SPUD CONNECTION FOR TOILET

- For top spud toilets
- PVC connection pipe for easy installation by pipe welding
- Highly engineered resin external parts for greater impact resistance than metal fittings
- Separate parts allow for adjustments during installation
- Chrome-plated for wear and corrosion resistance
- Connection: 1 1/2" male
- Minimum working static pressure: 140 kPa (20 psi)
- Maximum static working pressure: 552 kPa (80 psi)

SKU	DESCRIPTION	PRESENTATION	PACKING UNIT
IS-CO02-211	Top spud connection for toilet	Bag	12



TOP SPUD CONNECTION FOR URINAL

- Manufactured in bronze
- Compatible with urinals with or without SPUD
- Corrosion resistant finish
- Connection: 1/2" NPT male
- Minimum working static pressure: 140 kPa (20 psi)
- Maximum static working pressure: 80 psi (552 kPa)

SKU	DESCRIPTION	PRESENTATION	PACKING UNIT
IO-CO02-211	Top spud connection for Urinal	Box	24

SENSOR-ACTIVATED FLUSHING SYSTEMS

VENUS SANITARY SENSOR FLUSHOMETER



- Metal body
- Double activation system with sensor and push button
- Vandal-resistant
- Front shield in stainless steel
- Compatible with top/rear connection bowls marketed by Gricol
- Operates via transformer
- Corrosion-resistant finish
- Efficient flush ensuring water savings
- Inlet connection: 1" female thread
- Outlet connection: 1 1/2" male thread
- Electrical connection: 110 volts regulated current
- Operating pressure: 20 - 80 psi
- Adjustable activation range in time and distance with remote control Ref. IR-SS07-04 (sold separately)
- Optional commercial 9-volt battery (sold separately)

SKU	DESCRIPTION	PRESENTATION	PACKING UNIT
IS-SE04-11	Venus sanitary sensor Flushometer	Box	1

PUSH DISCHARGE SYSTEMS

GRICOL PUSH TYPE VALVE FOR TOILET



- Metal body
- Actuating system: timed push
- Wall recessed installation
- Vandal resistant
- Efficient flush that guarantees water savings
- Connections: Inlet 1" NPT
- Outlet pipe coupling Ø1" (33,4 mm).
- Minimum working static pressure: 140 kPa (20 psi)
- Maximum static working pressure: 552 kPa (80 psi)

SKU	DESCRIPTION	PRESENTATION	PACKING UNIT
IS-PU05-11	Gricol Push type Valve for Toilet	Box	12

URINAL VALVE 0.13 GPF



- Metal body
- Actuating system: timed push
- Wall recessed installation
- Vandal resistant
- Efficient flush that guarantees water savings
- Connections: 1/2" NPT female
- Includes flow calibration system
- Minimum static working pressure: 140 kPa (20 psi)
- Maximum static working pressure: 552 kPa (80 psi)

SKU	DESCRIPTION	PRESENTATION	PACKING UNIT
IO-PU04-211	Urinal Valve 0.13 GPF	Box	12

URINAL FLUSH SYSTEMS



CALIMA URINAL FLUSH VALVE



- Metal Body
- Stainless Steel Flexible Tube
- Single Water Inlet
- Easy Quarter Turn Shut-off
- Wall-Mount Installation
- Vandal-Resistant
- Connection: 1/2" NPT Male Thread compatible with urinals with and without SPUD
- Compatible with all GRICOL Top Connection Urinals

SKU	DESCRIPTION	PRESENTATION	PACKING UNIT
01-0857-211	Calima urinal flush valve	Box	24



URINAL PUSH FLUSH VALVE



- Metal Body
- Stainless Steel Flexible Tube
- Single Water Inlet
- Activation System: Timed Push
- Closing Time: 4 - 6 seconds
- Wall-Mount Installation
- Vandal-Resistant
- Connection: 1/2" NPT Male Thread compatible with urinals with or without SPUD
- Compatible with all GRICOL Top Connection Urinals

SKU	DESCRIPTION	PRESENTATION	PACKING UNIT
10-PU02-11	Lugo Urinal push flush valve	Box	24

ACCESSORIES

FOLDING SUPPORT BAR



- Made of stainless steel
- Length of 31.5" (80 cm)
- Foldable function
- Wall-mounted installation with anchors and screws
- Corrosion-resistant finish

SKU	DESCRIPTION	PRESENTATION	PACKING UNIT
1B-MU03-13	Wall-Mounted Foldable Support Bar	Box	1

STRAIGHT SUPPORT BAR, 19.69" (50 CM)



- Made of stainless steel
- Length of 19.69 (50 cm)
- Wall-mounted installation with anchors and screws
- Corrosion-resistant finish

SKU	DESCRIPTION	PRESENTATION	PACKING UNIT
1B-MU05-13	Straight Stainless Steel Bar, 19.69" (50 cm)	Box	1

TOILETS

TRANI TOP CONNECTION HANDICAP BOWL (TOILET) 1.27 GPF (4.8 LPF)



- Made of vitrified porcelain to prevent porosity and absorption
- Elongated design
- Water inlet: top
- Meets accessibility requirements
- Includes plastic coupler and gasket
- Must be complemented with top connection ref: IS-CO02-211 (sold separately)
- High-efficiency design ensuring water savings
- Compatible with sensor flush valves IS-SE04-11, IS-SE07-11, or push valve IS-PU05-11
- Compliance with standards: NTC 920
- Operating pressure: 20 - 80 psi

SKU	DESCRIPTION	PRESENTATION	PACKING UNIT
1S-PO06-15	Trani Top Connection Handicap Bowl (toilet) 1.27 GPF (4.8 lpf)	Box	1

TOILETS

MONDELLO TOP CONNECTION BOWL (TOILET) 1.27 GPF 4.8 LPF



- Crafted from vitrified porcelain to prevent porosity and absorption
- Elongated design
- Water inlet: top
- Vandal-resistant
- Includes plastic coupler and gasket
- Must be complemented with top connection ref: IS-CO02-11 (sold separately)
- High-efficiency design ensuring water savings
- Compatible with sensor flush valves IS-SE04-11, IS-SE07-11, or push valve IS-PU05-11
- Compliance with standards: NTC 920
- Operating pressure: 20 - 80 psi

SKU	DESCRIPTION	PRESENTATION	PACKING UNIT
IS-PO08-15	Mondello Top Connection Bowl (toilet) 1.27 GPF 4.8 lpf	Box	1

ZURN BACK CONNECTION BOWL (TOILET) 1.27 GPF 4.8 LPF



- Crafted from vitrified porcelain to prevent porosity and absorption
- Elongated design
- Water inlet: rear
- Vandal-resistant
- Includes metal coupler and gasket
- Must be complemented with rear connection ref: IS-CO01-11 (sold separately)
- High-efficiency design ensuring water savings
- Compatible with sensor flush valves IS-SE04-11, IS-SE07-11, or push valve IS-PU05-11
- Bowl design with jet technology to ensure optimal flushing efficiency
- Closed rim for easy cleaning
- Compliance with standards: NTC 920
- Operating pressure: 20 - 80 psi

SKU	DESCRIPTION	PRESENTATION	PACKING UNIT
IS-PO15-15	Zurn back Connection Bowl (toilet) 1.27 GPF 4.8 Lpf	Box	1

URINALS

TOP CONNECTION URINAL 0.132 GPF (0.5 LPF)



- Manufactured in vitrified porcelain to prevent porosity and absorption
- Top water inlet
- Wall-mounted installation with concealed drain
- Includes fixation and drainage system
- Compatible with Push Valve: IO-PU02-11 or urinal faucet: 01-0857-211 (sold separately)
- For connection, it must be complemented with top connection ref: IO-CO02-211 (sold separately)
- Top connection of 3/4" with SPUD
- Outlet connection 1 1/4" with extension to 1 1/2"
- Consumption: 0.132 gpf (0.5 lpf)
- Compliance with standards: NTE-INEN 1571: 2011 - ASME A112.19.2: 2008



SKU	DESCRIPTION	PRESENTATION	PACKING UNIT
IO-PO18-15	Top Connection Urinal 0.132 gpf (0.5 lpf)	Box	1

BACK CONNECTION URINAL 0.132 GPF (0,5 LPF)



- Manufactured in vitrified porcelain to prevent porosity and absorption
- Water Inlet: Rear
- Wall-mounted installation with concealed drain
- Includes installation accessories
- Compatible with Push Valve: IO-PU04-211
- Rear connection 1/2"
- Outlet connection 1 1/4" with extension to 1 1/2"
- Consumption: 0.132 gpf (0.5 lpf)
- Compliance with standards: NTE-INEN 1571: 2011 - ASME A112.19.2: 2008



SKU	DESCRIPTION	PRESENTATION	PACKING UNIT
IO-PO19-15	Back Connection Urinal 0.132 GPF (0,5 lpf)	Box	1



**In 1962, our dream began:**

to have a comprehensive offering of innovative products and provide expert service of the highest quality. Our portfolio is the result of more than six decades of product development, providing the best solutions for our customers' needs.

We manufacture much more than products, we create unique experiences in water usage, support, quality and design. This is why our customers trust and feel confident, by knowing they have made the best purchase decision for their home or business.

---

[comercial@gricol.com](mailto:comercial@gricol.com)

Tel. (+57) 601-360 38 99 / (+57) 601-360 04 66

 [gricol\\_sa](#)  [gricol1.962](#)