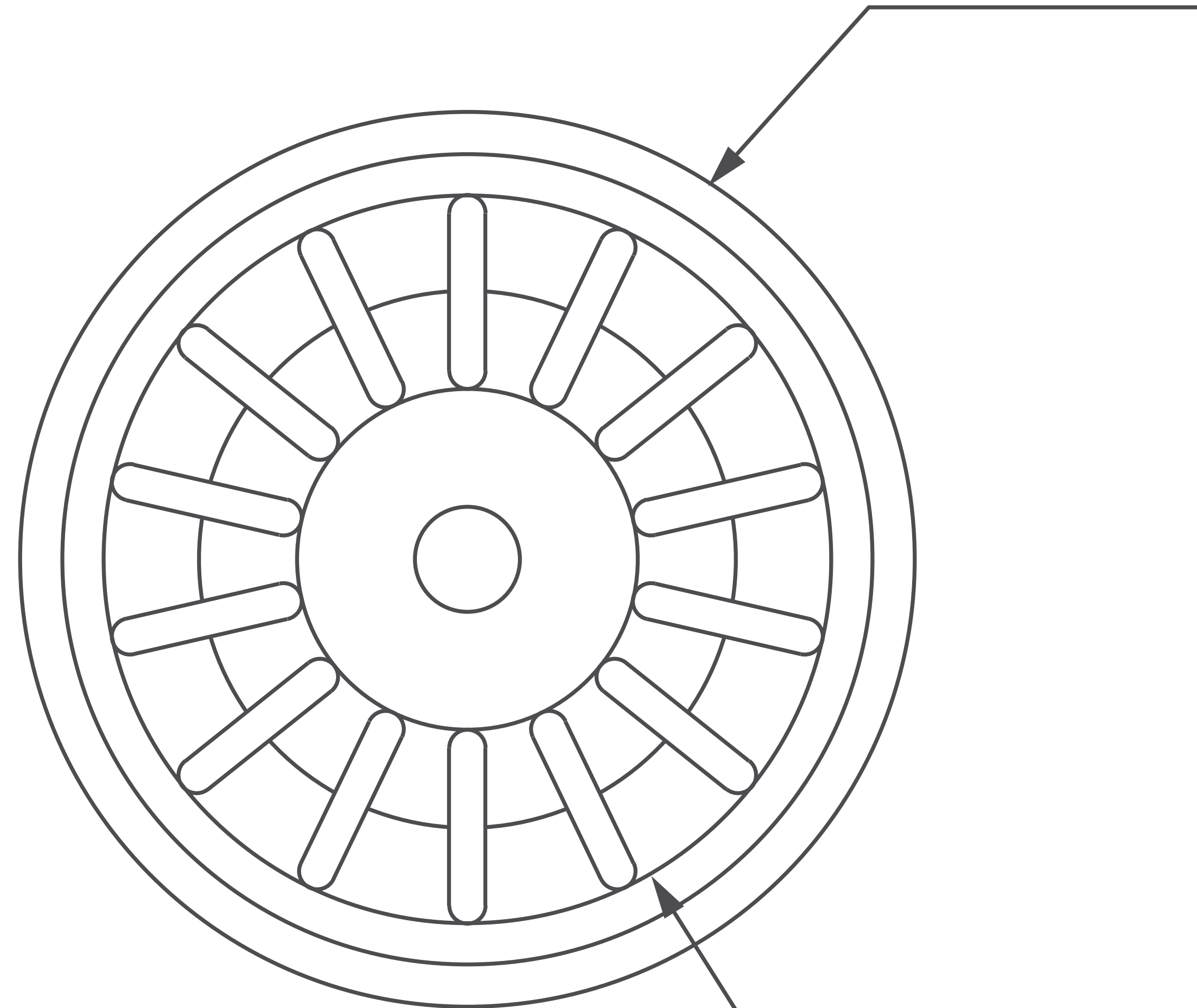
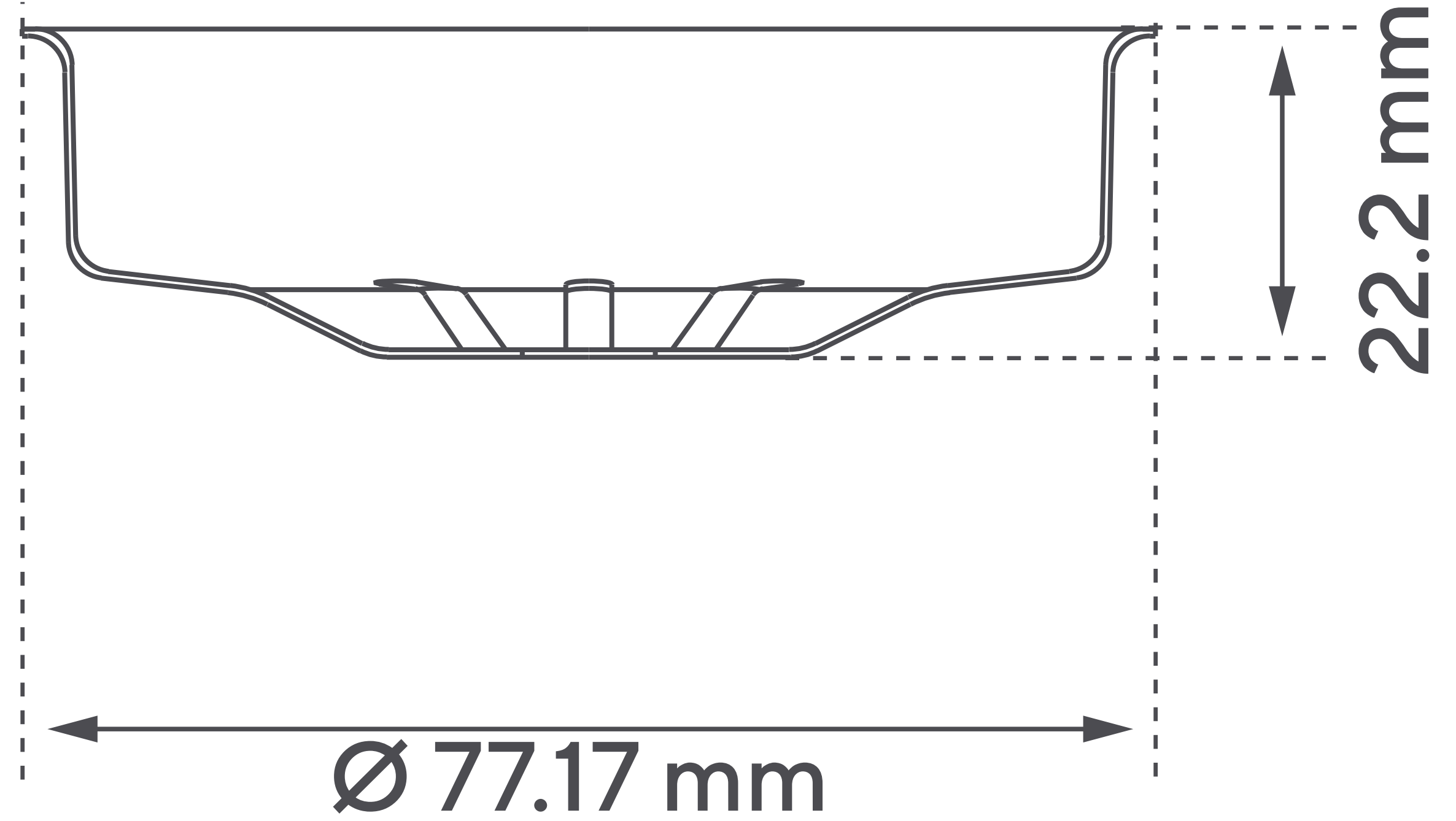


R 38.33



R 31.16



22.2 mm

Ø 77.17 mm